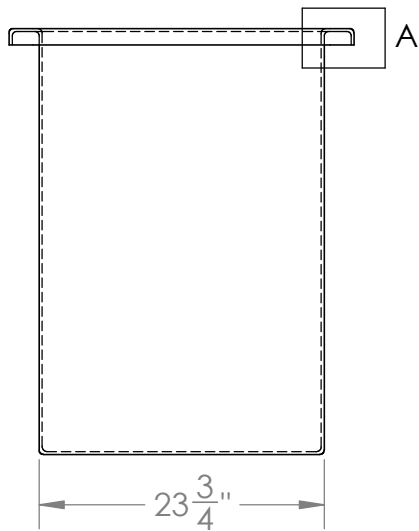
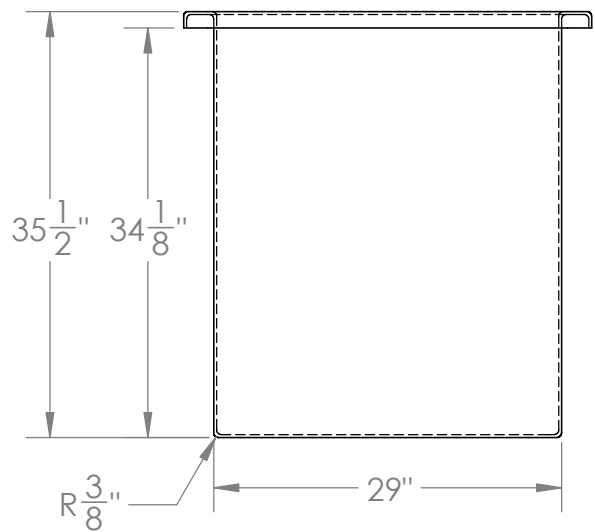
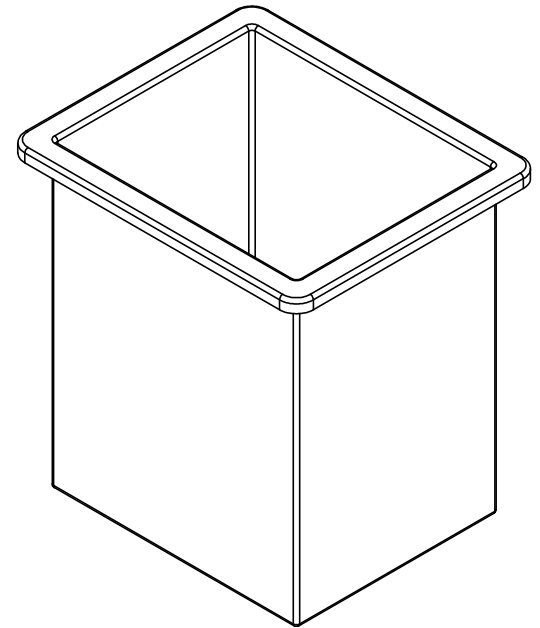


DETAIL A



Catalog options:
Cover #6200



Heavy Duty Polyethylene
Tank w/ External Flange
#6104



1390 Neubrecht Road
Lima, Ohio 45801

STOCK NO.	6104	REV	A
DO NOT SCALE DRAWING		WEIGHT: 51 lbs.	

DIMENSIONS ARE IN INCHES TOLERANCE: ± 1/4"			
MATERIAL	DRAWN	NAME	DATE
LLDPE - FDA resin	CDH	BAT	06/13/16
CAPACITY	APPROVED	COMMENTS:	
105 US gal.	BAT	07/13/16	
GRADUATIONS	Translucent UV Stabilized		
NO			
NOMINAL WALL THICKNESS			
1/4"			

PROPRIETARY AND CONFIDENTIAL
THE INFORMATION CONTAINED IN THIS DRAWING IS THE SOLE PROPERTY OF TAMCO. ANY REPRODUCTION IN PART OR AS A WHOLE WITHOUT THE WRITTEN PERMISSION OF TAMCO IS PROHIBITED.

MAX. OPERATING TEMP. 140°F
INTERMITTENT SERVICE TO 160°F
SEE CHEMICAL RESISTANCE CHART FOR COMPATIBILITY