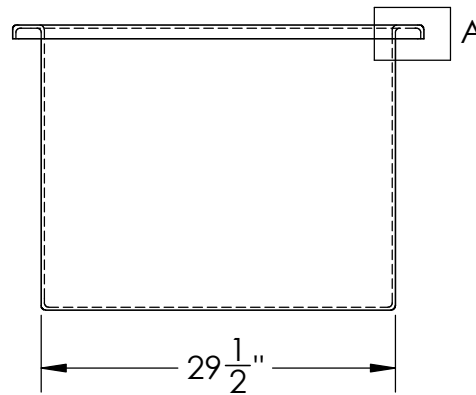
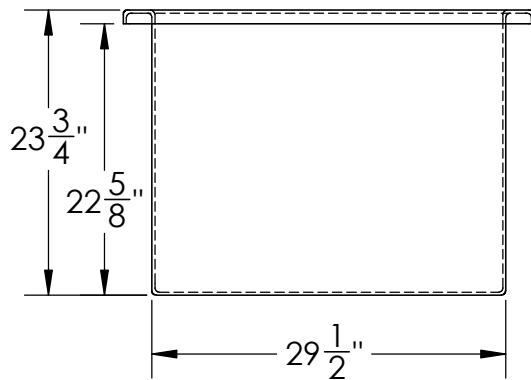
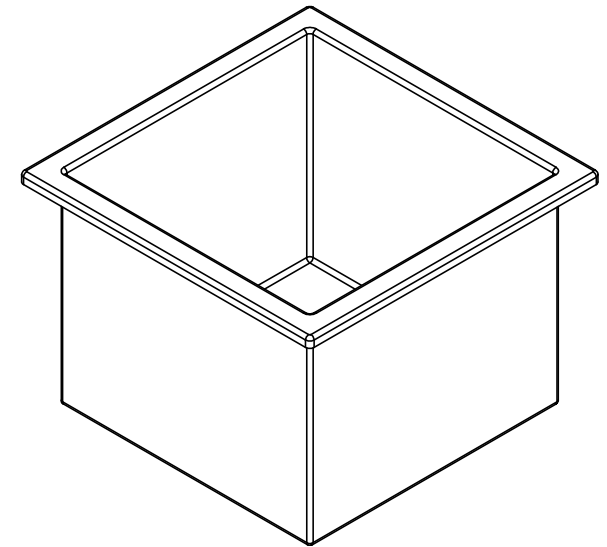


DETAIL A

Catalog options:
Cover #6206



Natural Heavy Duty Polyethylene
Tank w/ External Flange
#6108



1390 Neubrecht Road
Lima, Ohio 45801

DIMENSIONS ARE IN INCHES
TOLERANCE: ± 1/4"

MATERIAL
LLDPE - FDA resin

CAPACITY
92 US gal.

GRADUATIONS
NO

NOMINAL WALL THICKNESS
1/4"

	NAME	DATE
DRAWN	JMP	05/28/20
APPROVED	NJV	4/9/26

COMMENTS:

Natural
UV Stabilized

STOCK NO.

6108

REV

A

DO NOT SCALE DRAWING

WEIGHT: 47 lbs.

PROPRIETARY AND CONFIDENTIAL

THE INFORMATION CONTAINED IN THIS DRAWING IS THE SOLE PROPERTY OF TAMCO. ANY REPRODUCTION IN PART OR AS A WHOLE WITHOUT THE WRITTEN PERMISSION OF TAMCO IS PROHIBITED.

MAX. OPERATING TEMP. 140°F
INTERMITTENT SERVICE TO 160°F
SEE CHEMICAL RESISTANCE
CHART FOR COMPATABILITY