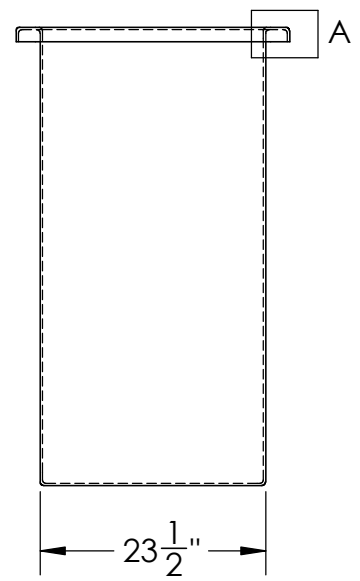
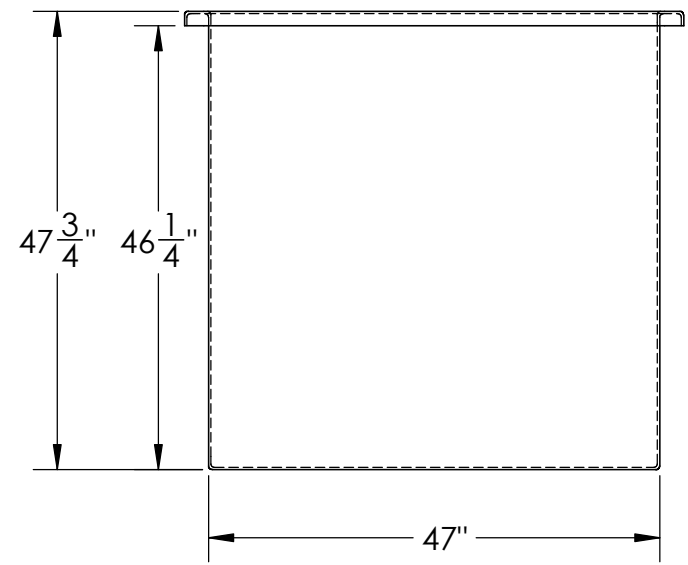
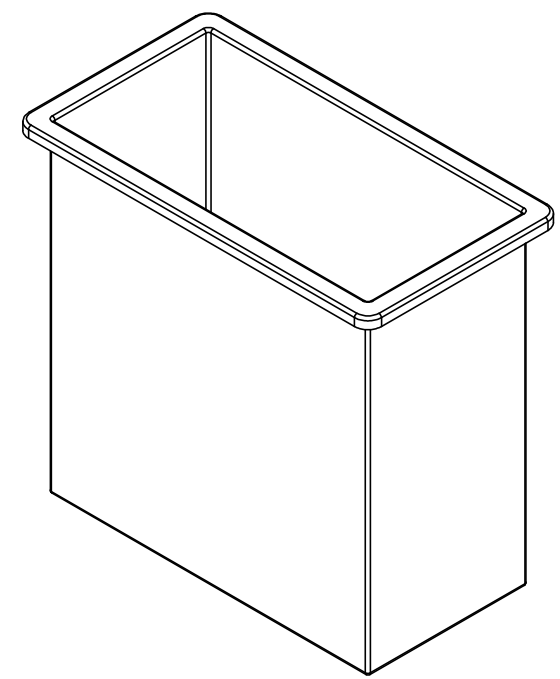


Catalog options:
Cover #6215



Natural Heavy Duty Polyethylene
Tank w/ External Flange
#6120



PROPRIETARY AND CONFIDENTIAL
THE INFORMATION CONTAINED IN THIS DRAWING IS THE SOLE PROPERTY OF TAMCO. ANY REPRODUCTION IN PART OR AS A WHOLE WITHOUT THE WRITTEN PERMISSION OF TAMCO IS PROHIBITED.

MAX. OPERATING TEMP. 140°F
INTERMITTENT SERVICE TO 160°F
SEE CHEMICAL RESISTANCE
CHART FOR COMPATABILITY

DIMENSIONS ARE IN INCHES TOLERANCE: ± 1/4"		NAME	DATE
MATERIAL	LLDPE - FDA resin	DRAWN	JMP 05/29/20
CAPACITY	220 US gal.	REVISIONS	NJV 4/9/26
GRADUATIONS	NO	COMMENTS: Natural UV Stabilized	
NOMINAL WALL THICKNESS	1/4"		

STOCK NO.	6120	REV	A
DO NOT SCALE DRAWING		WEIGHT: 86 lbs.	