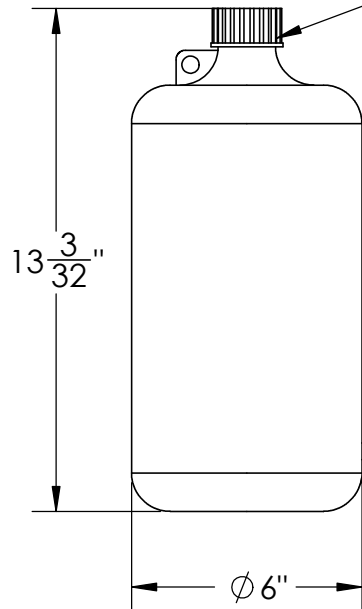
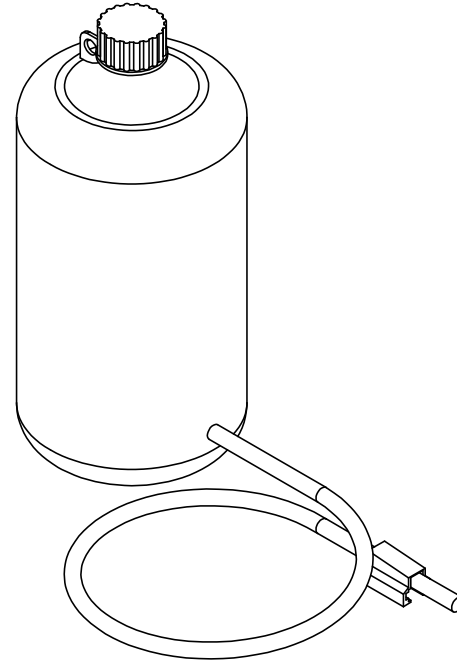


38/430 Cap



Tubing and Pinch Spigot #900131

Nalgene LDPE Bottle
Modified by Tamco with Tubing
and Pinch Spigot #65023



DIMENSIONS ARE IN INCHES TOLERANCE: ± 1/4"		NAME	DATE
MATERIAL	LDPE	DRAWN	CDH 07/11/16
CAPACITY	1 US gal.	APPROVED	BAT 07/13/16
GRADUATIONS	NO	COMMENTS: Polypropylene Cap	
NOMINAL WALL THICKNESS	0.10"		

PROPRIETARY AND CONFIDENTIAL
THE INFORMATION CONTAINED IN THIS DRAWING IS THE SOLE PROPERTY OF TAMCO. ANY REPRODUCTION IN PART OR AS A WHOLE WITHOUT THE WRITTEN PERMISSION OF TAMCO IS PROHIBITED.

MAX. OPERATING TEMP. 140°F
INTERMITTENT SERVICE TO 160°F
SEE CHEMICAL RESISTANCE
CHART FOR COMPATIBILITY

STOCK NO.	REV
65023	A
DO NOT SCALE DRAWING	WEIGHT: 1.1 lbs.