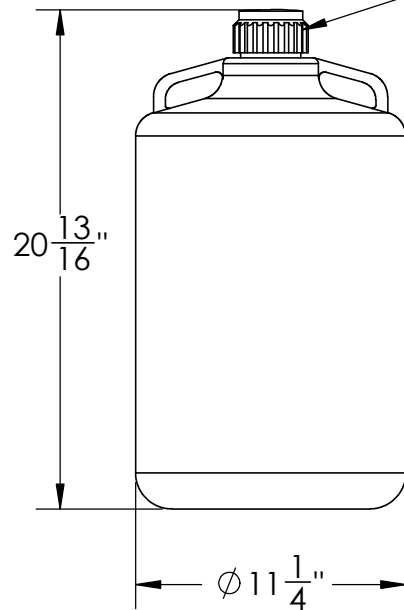
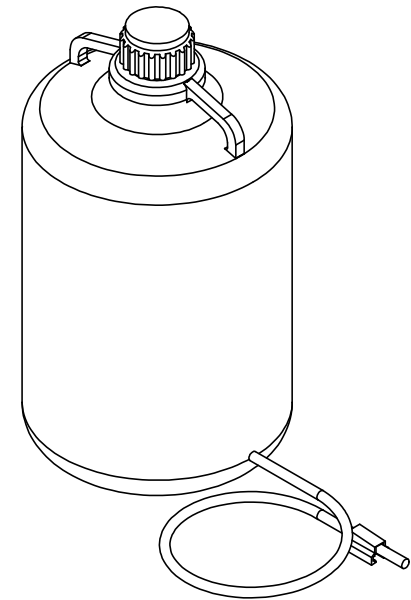


83B Cap



Tubing and Pinch Spigot #900131

Nalgene LDPE Bottle  
Modified by Tamco with Tubing  
and Pinch Spigot #65025

**TAMCO**<sup>®</sup>  
INDUSTRIES  
1390 Neubrecht Road  
Lima, Ohio 45801

**PROPRIETARY AND CONFIDENTIAL**  
THE INFORMATION CONTAINED IN THIS DRAWING IS THE SOLE PROPERTY OF TAMCO. ANY REPRODUCTION IN PART OR AS A WHOLE WITHOUT THE WRITTEN PERMISSION OF TAMCO IS PROHIBITED.

MAX. OPERATING TEMP. 140°F  
INTERMITTENT SERVICE TO 160°F  
SEE CHEMICAL RESISTANCE  
CHART FOR COMPATIBILITY

DIMENSIONS ARE IN INCHES TOLERANCE: ± 1/4"		NAME	DATE
MATERIAL	LDPE	DRAWN	CDH 07/11/16
CAPACITY	5 US gal.	APPROVED	BAT 07/13/16
GRADUATIONS	NO	COMMENTS: Polypropylene Cap	
NOMINAL WALL THICKNESS	0.16"		

STOCK NO.	REV
65025	A
DO NOT SCALE DRAWING	WEIGHT: 4.15 lbs.