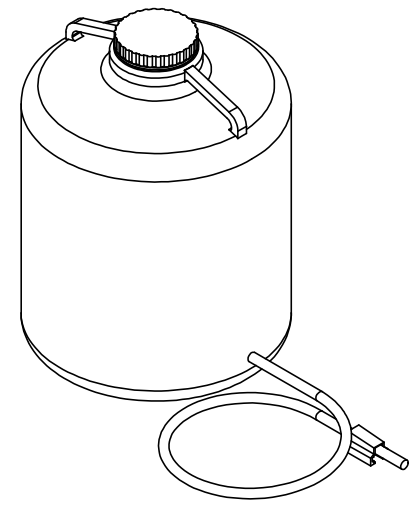
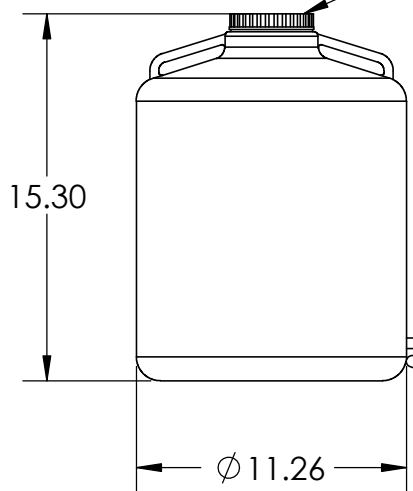


100-415 Cap



Tubing and Pinch Spigot



Nalgene LDPE Wide-Mouth Carboy Modified by Tamco with Tubing and Pinch Spigot #65032



1390 Neubrecht Road
Lima, Ohio 45801

DIMENSIONS ARE IN INCHES TOLERANCE: ± 1/4"		NAME	DATE
MATERIAL	LDPE	DRAWN	CDH 07/11/16
CAPACITY	4 US gal.	APPROVED	BAT 07/13/16
GRADUATIONS	NO	COMMENTS: Polypropylene Cap	
NOMINAL WALL THICKNESS	0.18"		

PROPRIETARY AND CONFIDENTIAL
THE INFORMATION CONTAINED IN THIS DRAWING IS THE SOLE PROPERTY OF TAMCO. ANY REPRODUCTION IN PART OR AS A WHOLE WITHOUT THE WRITTEN PERMISSION OF TAMCO IS PROHIBITED.

MAX. OPERATING TEMP. 140°F
INTERMITTENT SERVICE TO 160°F
SEE CHEMICAL RESISTANCE CHART FOR COMPATIBILITY

STOCK NO. **65032**

REV **A**

DO NOT SCALE DRAWING

WEIGHT: 3.2 lbs.