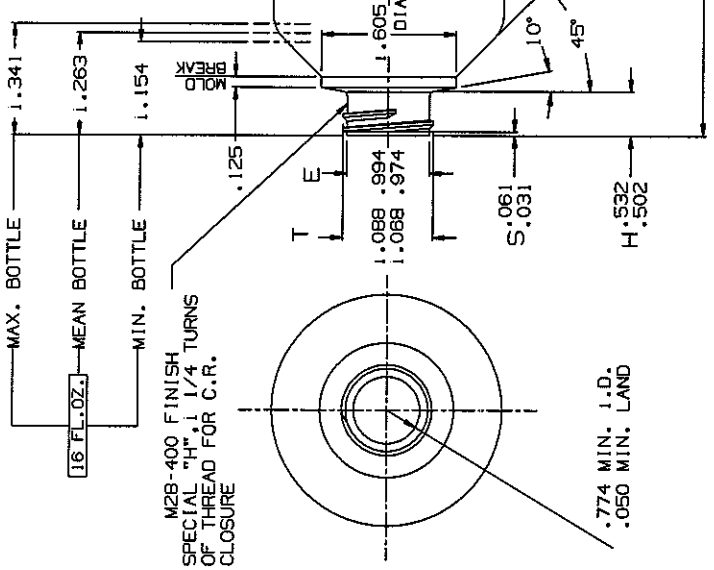
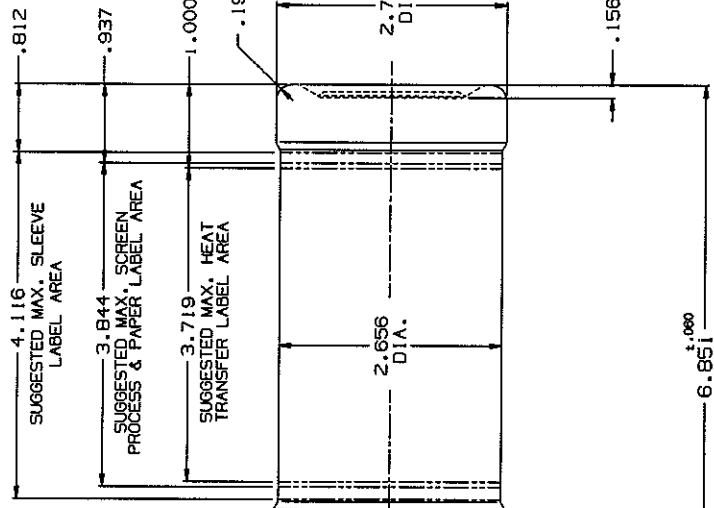
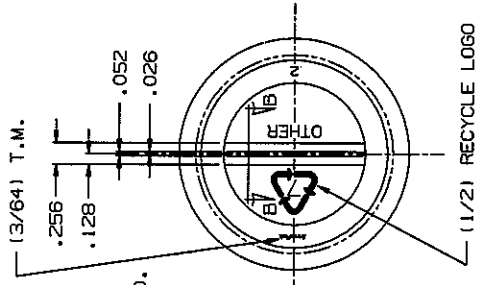


PARTIAL SECTION "B-B"
SCALE 10:1



M2B-400 FINISH
SPECIAL "H", 1 1/4 TURNS
OF THREAD FOR C.R.
CLOSURE

NOTES :

- 1) OVERFLOW CAPACITY : 17.31 ± .37 FL.OZ.
(511.8 ± 11.0 CC'S.)
- 2) WEIGHT : 42.0 ± 2.5 GRAMS
3. VERTICAL LABEL BREAK:
PAPER LABEL: NONE
SCREEN PROCESS: .812
HEAT TRANSFER: .375
SLEEVE LABEL: NONE

DESIGNER	JAS	CUSTOMER	SILGAN PLASTICS CORP.
DATE	2/11/86	DESCRIPTION	16 FL. OZ. MODERN ROUND
REF. DES. NO.	M2B-9717-A	TECHNICAL CENTER	INDUSTRIAL CENTER MAYWOOD, ILL. 60452
DATE	10/31/10	SCALE	FULL
CODE NO.	1031-10448	DRAWING NO.	MC-9-9784-G
REV. NO.	1031-10448		
DATE	10/31/10		
SCALE	FULL		

DIMENSIONS SHOWN ARE:
 AS MOLDED
 AFTER TREAT
 AFTER TREAT
 & DIED

THIS DRAWING HAS BEEN PREPARED BY
SILGAN PLASTICS FOR OUR OWN PRO-
DUCTION OF THE ARTICLE SHOWN AND MAY
NOT BE COPIED OR UTILIZED BY OTHERS
WITHOUT OUR WRITTEN CONSENT.

REVISIONS	DATE	APPROVED
6	12/10/82	KENT
LTR		

PLA-03375