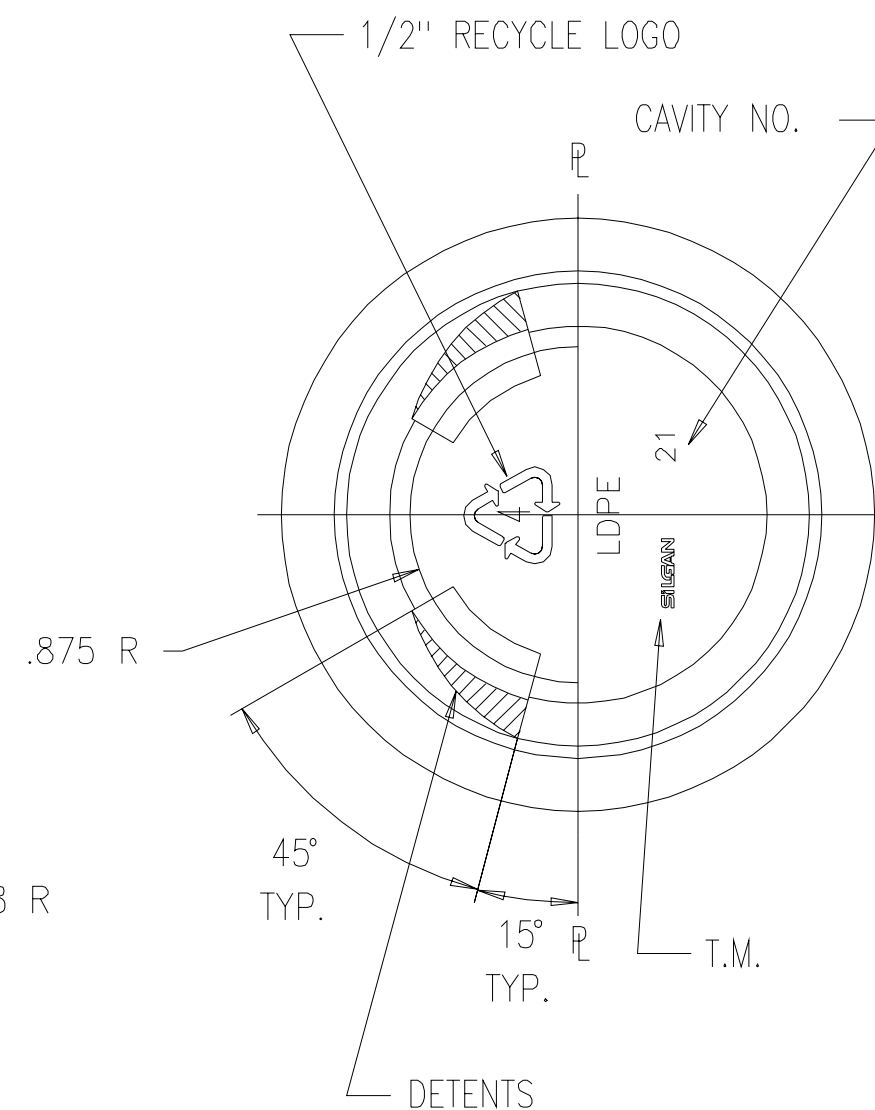
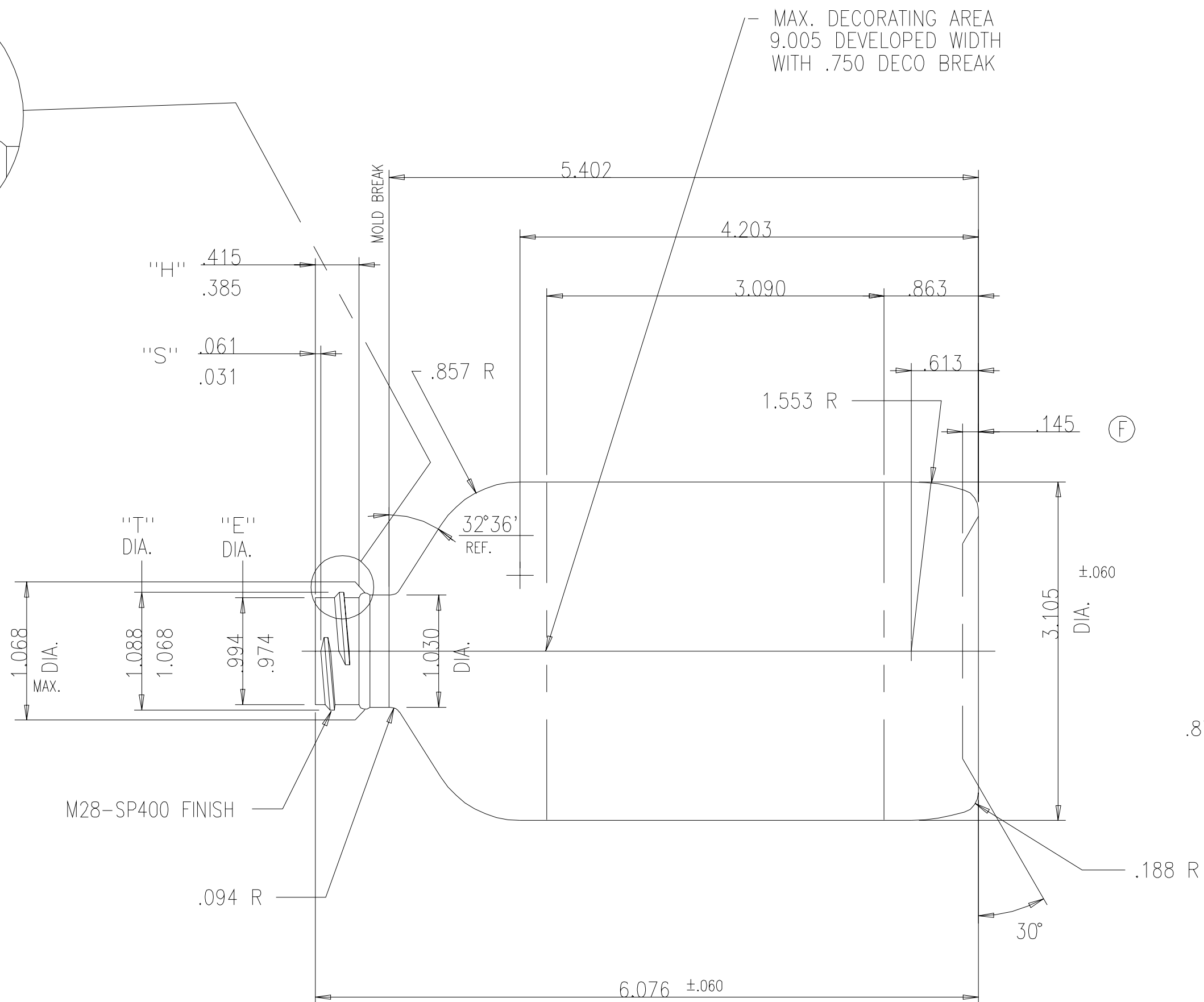
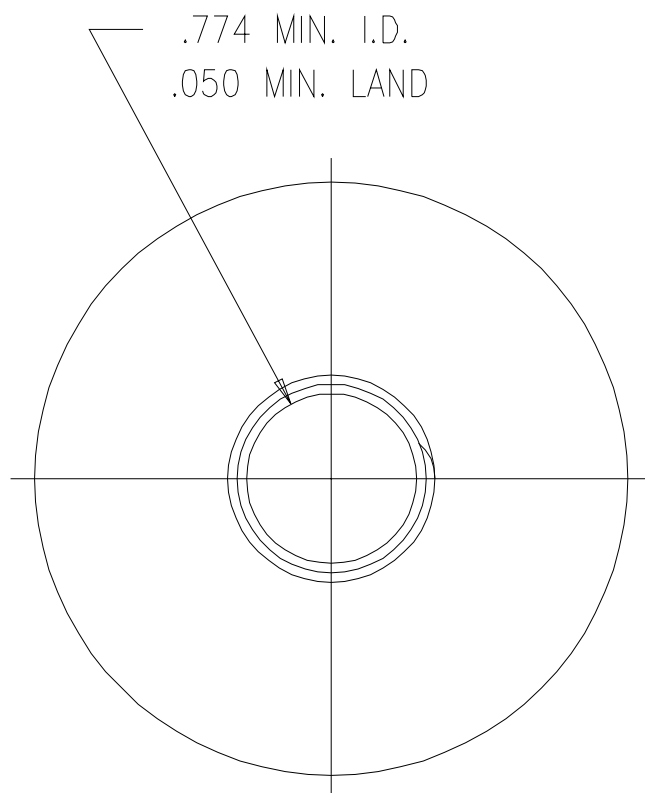



SCALE: 4:1



NOTES:

- 1) OVERFLOW CAPACITY : 18.53 ± .44 FL. OZ.
(547.8 ± 13.0 CC'S)
- 2) WEIGHT: 53.0 ± 3.0 GRAMS

REVISIONS	DESCRIPTION	DATE	APPROVED
F	WAS NRFP/OAH WAS 6.106/ADDED & REVISED DIM	28APR99	KENT/CAS
E	TOOLING NO. WAS 8549/WAS RFP	6JAN98	KENT
LTR			

DIMENSIONS SHOWN ARE: <input type="checkbox"/> AS MOLDED <input checked="" type="checkbox"/> AFTER TREAT <input type="checkbox"/> AFTER TREAT & DECO UV <input type="checkbox"/> AFTER TREAT & FLAME GLOSS	DRAWN BY DELL	MATERIAL LDPE	CUSTOMER SILGAN PLASTICS CORP.
	DATE 10/11/90	QUOTE NO.	DESCRIPTION 16 FL. OZ. BOSTON ROUND
	APPROVED BY	PRD./CAV. NO.	
	INFO.	REF. DWG. NO. MC9-2118	
THIS DRAWING HAS BEEN PREPARED BY SILGAN PLASTICS FOR OUR OWN PRODUCTION OF THE ARTICLE SHOWN AND MAY NOT BE COPIED OR UTILIZED BY OTHERS WITHOUT OUR PRIOR WRITTEN CONSENT.	PROD. NO.	TOOLING NO. TD31-14696	 TECHNICAL CENTER 1858 MECA WAY NORCROSS, GA 30093
	CAD DRAFTER	CODE NO. LDM-78710	
	SCALE FULL	SURF. AREA	DRAWING NO. MC-9-10503-F