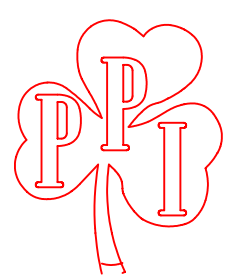
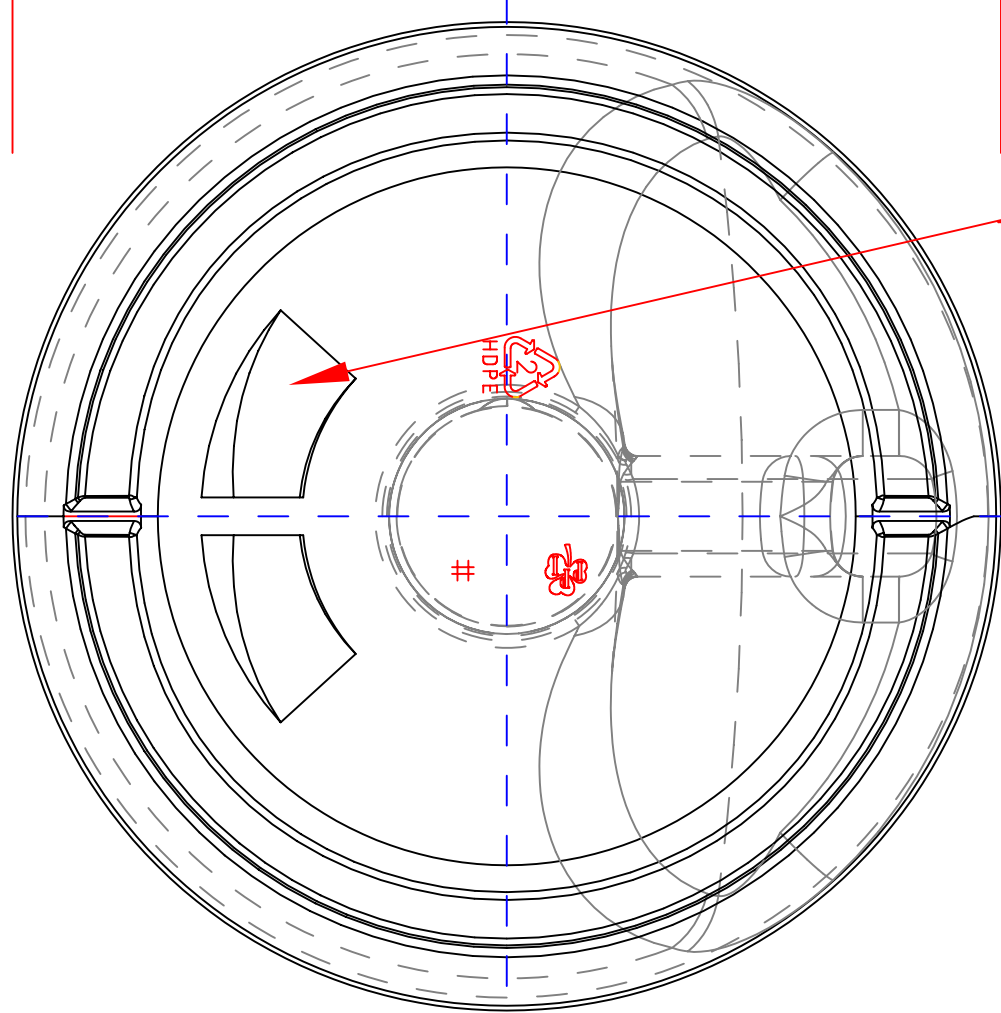


PORTOLA
38 LT

6.46



TOLERANCES (UNLESS OTHERWISE SPECIFIED)	COMPANY: PATRICK PRODUCTS, INC.		
	TITLE: ONE GALLON HANDLEWARE ROUND		
AS PER S.P.I. SPECS.	DRN. BY: D.U.	SCALE: FIT	DATE: 1/05/02
	CHK'D. BY:	DRAWING NO:	REV:
	MATERIAL: HDPE		

NO.	REVISION DESCRIPTION	BY	DATE