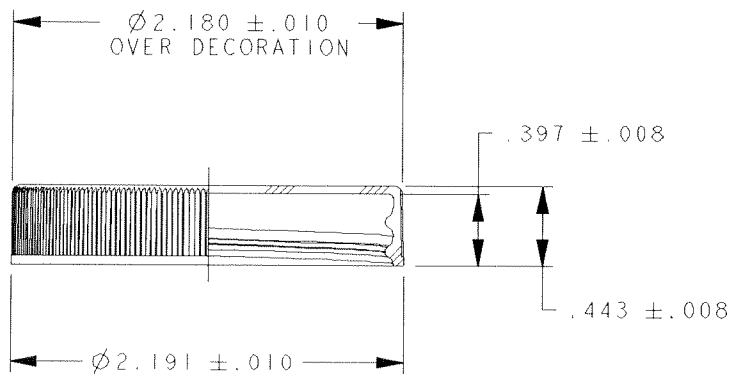
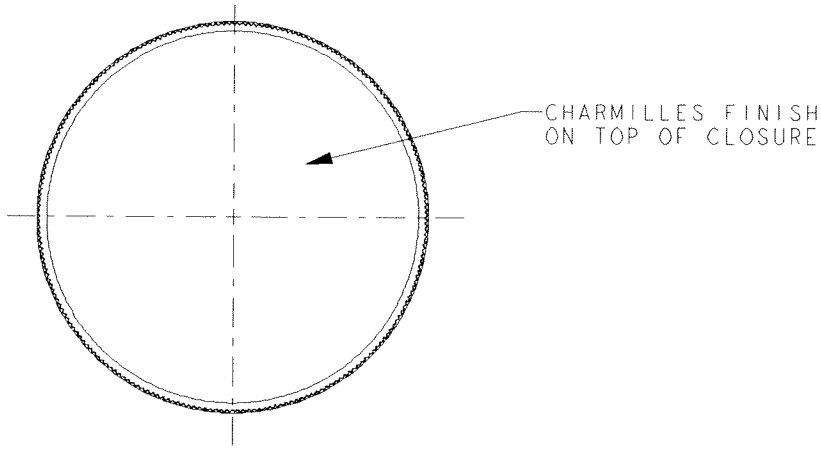


CONTROLLED COPY

INITIALS amv DATE 9/1/07



6 THREADS PER INCH

DIMENSIONS ARE REPRESENTATIVE ONLY. FINAL SIZES TO BE DETERMINED AFTER PART IS MANUFACTURED.

UNLESS SPECIFIED ALL TOLERANCES ARE $\pm .007$

XXX DENOTES SPC CONTROL DIMENSIONS

DIMENSIONS ARE REPRESENTATIVE ONLY. FINAL SIZES TO BE DETERMINED AFTER PART IS MANUFACTURED.

MATERIAL	POLYPRO	MOA	M-425
MPI NO.	1-7737		

"T"	2.062	$\pm .008$
"E"	1.982	$\pm .008$

CONF. NOTE
 INFORMATION CONTAINED HEREIN CONSTITUTES PROPRIETARY CONFIDENTIAL INFORMATION OF OWENS-ILLINOIS, INC. AND IS TO BE ACCEPTED ONLY SUBJECT TO THAT UNDERSTANDING. IT IS TO BE KEPT CONFIDENTIAL AND NOT TO BE COPIED, USED, OR CONVEYED TO OTHERS WITHOUT OWENS-ILLINOIS WRITTEN AUTHORIZATION.

Mold No.	PROD. SAMPLE	MJ-471-1
SCALE	FULL	DRAWN CJ SELMEK/MZ
DATE	2/15/95	CHECKED

LINE "C" IS	DOWN FROM INSIDE TOP
TITLE CUSTOMER DRAWING	
53-400 FINE RIBBED CLOSURE	

OWENS-BROCKWAY
 CLOSURE & SPECIALTY PRODUCTS
 a unit of Owens-Illinois Plastics Group

DRAWING NUMBER	REVISION
QIM-317-3424	

MODEL NAME:	IM-317-3424, 53-400, FIN, FIB, CLO
DIRECTORY:	STOCK/PROD

CAP-00395

Liner O-B Seal I

O-B Seal is a co-extruded tri-layer combination consisting of a foamed low density polyethylene core sandwiched between identical top and bottom layers of virgin, low density polyethylene. The components comply with FDA requirements for contact with food products under 21 CFR. A technical data sheet is attached.

CONTROLLED COPY

INITIALS anv DATE 9/1/01

OWENS-ILLINOIS



**TECHNICAL DATA SHEET
O-B SEAL I**

Construction:	LDPE/Foamed LDPE/LDPE
Description:	Three-ply coextruded material: Foamed Low Density Polyethylene core between two solid layers of low density polyethylene
Properties:	
Thickness	.020 in. to .060 in. +/- .005 in. (.005 in. Increments)
Density	25 +/- 2 lbs./Ft ³
Appearance	Smooth, Semi-opaque
Flexibility	Excellent
Compressibility	Excellent
Resiliency	Excellent
Resistance to Mold Growth	Excellent
Torque Removal	Excellent
Resistance to Change in Temperature & R.H.	Excellent
Resistance to Delamination & Dusting	Excellent
Taste Impartation	None
Odor	None
FDA Status	The component materials of O-B Seal are listed under DMF #11477. All components comply with the applicable 21 CFR sections for food contact materials.
Web Widths	1.0 to 13.0 in. available (+/- 1/32 in.)
Warpage	+/- 1/4 in. over a 4 ft. length

This information is offered in good faith by Owens-Illinois; however, OWENS-ILLINOIS MAKES NO REPRESENTATION OR WARRANTY OF ANY TYPE, EXPRESS OR IMPLIED, REGARDING ANY PROCEDURES, OR ANY OTHER INFORMATION SET FORTH IN THIS REPORT, AND THE CUSTOMER ASSUMES ALL RESPONSIBILITY FOR THE ADEQUACY, FITNESS AND ACCURACY OF ANY PROCEDURES, SUGGESTIONS, OR INFORMATION USED IN ANY MANUFACTURING, PACKAGING, OR PROCESSING OPERATIONS, INCLUDING LOSS DUE TO PERSONAL INJURY OR PROPERTY DAMAGE.