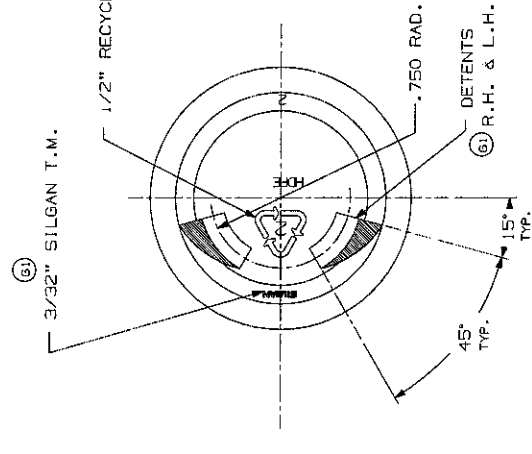
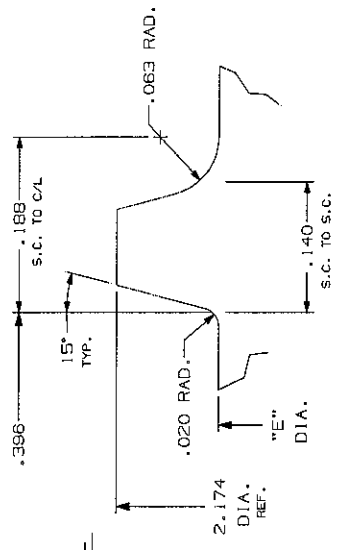
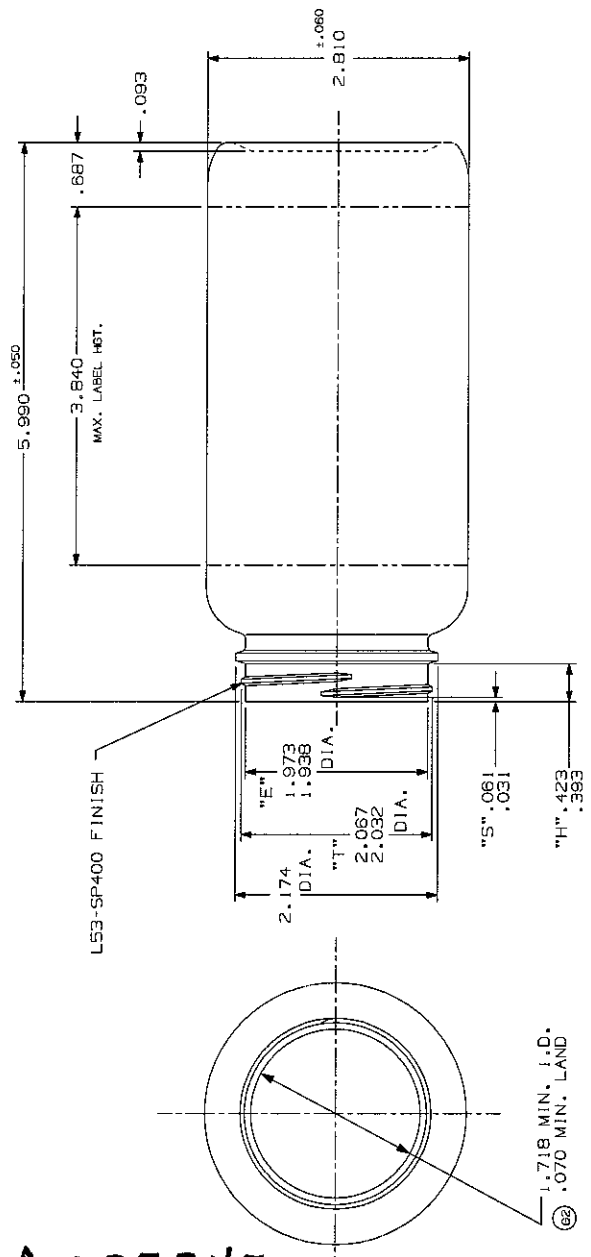


PLA-07247



NOTES :

- OVERFLOW CAPACITY : 17.73 ± .37 FL.OZ. 524.3 ± 11.0 CC'S.
- WEIGHT : 32.0 ± 2.0 GRAMS
- TREAT SEALING LAND ON FINISH
- VERTICAL LABEL BREAK : .812  
SCREEN PROCESS : .375  
HEAT TRANSFER : NONE  
PAPER LABEL :

REV.	DESCRIPTION	DATE	APPROVED
J	ADDED WGT. & OFC, RM HDM 78179, UPDATE TO STD'S	10/11/99	J.E.HANEY
H	ADDED CODE CHART, RFP	9/2/92	J.E.HANEY
G4	REDRAWN & UPDATED	2/25/92	H.N.T.
G3	CODE # WAS HDS. MOLD ASS'Y # WAS TD31-7105		
G2	LIP DETAIL & .070 LAND ADDED		
G1	DMSD DETENT & 3/32" T.M. ADDED		
LTR	REVISIONS		

DRAWN BY	DATE	DWG. SIZE	INFO	PROJECT NO.	CAD	USG	SCALE	FULL
W.F.S.	1/5/70	C						

MATERIAL	CUSTOMER
HDPE	SILGAN PLASTICS

DATE	QTY.	DESCRIPTION
1/5/70	500 CC	W/M ROUND

REF. DWS. NO.	TOOLING NO.	SEE CHART	SUP. AREA
06-088-14	MC-SK-5850	TD31-13376	

AS MOLDED  
 AFTER TREAT  
 AFTER TREAT & DECO  
 DIM & FLAME GLOSS

THIS DRAWING HAS BEEN PREPARED BY SILGAN PLASTICS FOR OUR OWN PRODUCTION OF THE ARTICLE SHOWN AND MAY NOT BE COPIED OR UTILIZED BY OTHERS WITHOUT OUR PRIOR WRITTEN CONSENT.

J HDM 78476  
 H HDM 78328  
 J HDM 78825