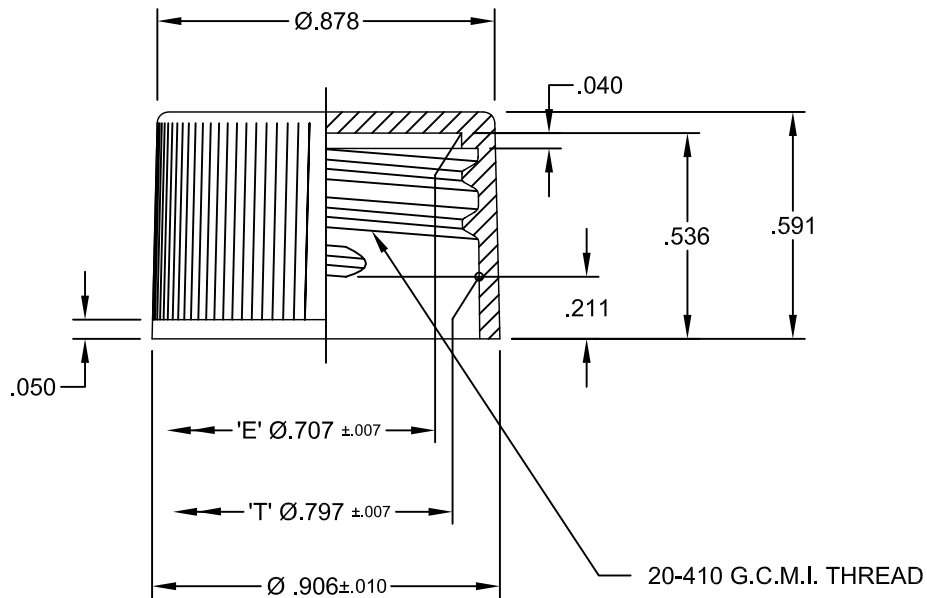
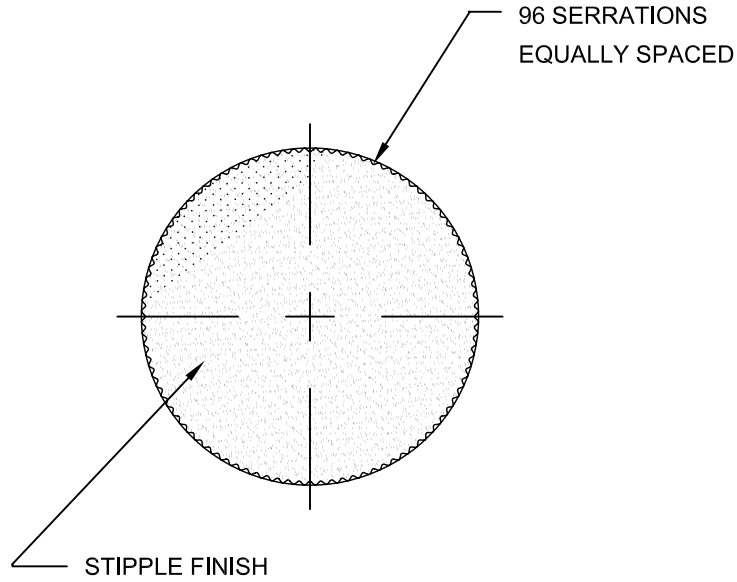




THIS DRAWING IS THE PROPERTY OF BERRY PLASTICS CORPORATION. DEPICTS INFORMATION CONSIDERED TO BE A TRADE SECRET, AND SHOULD NOT BE VIEWED BY UNAUTHORIZED INDIVIDUALS. IT IS NOT TO BE DUPLICATED OR USED, DIRECTLY OR INDIRECTLY, FOR PURPOSES OTHER THAN THOSE FOR WHICH IT IS FURNISHED WITHOUT THE EXPRESS WRITTEN PERMISSION OF BERRY PLASTICS CORPORATION.



OLD DWG. No. PS 74028-C

| DATE | SYM | REVISION RECORD | DR. | CK. | TOLERANCES (EXCEPT AS NOTED) |  | 101 OAKLEY STREET P.O. BOX 959 EVANSVILLE, INDIANA 47706-0959 TEL (812)424-2904 FAX (812)463-7743 | |
|------|-----|----------------------------------|-----|-----|------------------------------------|--|--|----------------|
| 3/86 | A | REDRAWN | | | | | MAT'L | SCALE |
| 9/91 | B | ADDED: 'E' & 'T' | JT | | DECIMAL | POLYPROPYLENE | 2:1 | GHB |
| 6/96 | C | Ø.906±.010 WAS Ø.914 | GHB | | 2 PL ± N/A | | | |
| 5/98 | D | REDRAWN ON 'CAD' WITHOUT CHANGES | GHB | | 3 PL ± .010 | TITLE | | APP. BY |
| 5/98 | D | CHANGED TITLE: 20/410 FRST WAS | GHB | | 4 PL ± N/A | 20/410 FRST | | |
| 5/98 | D | 20-410 C.G. FINR RIB | GHB | | FRACTIONAL | | | |
| 5/98 | D | 22135045 WAS PS 74028-C | GHB | | ± 1/64 | DATE |  THIRD ANGLE PROJECTION | DRAWING NUMBER |
| | | | | | ANGULAR | 5/4/98 | | 22135045-D |
| | | | | | ± 0° 30' | | | |