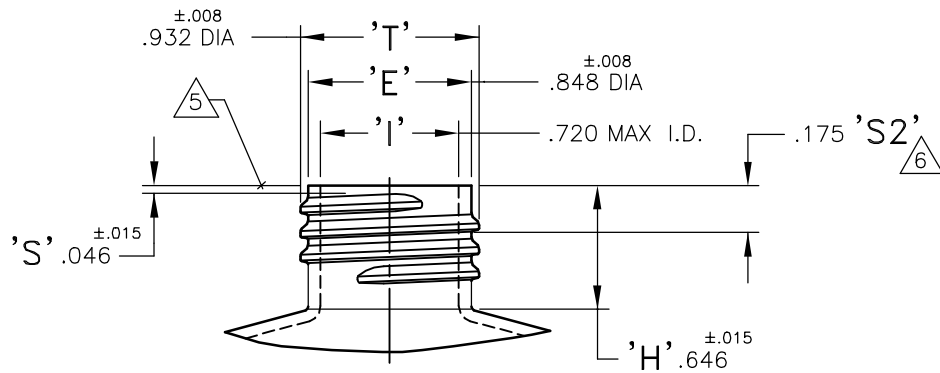


ORIFICE SIZE
 .108 IN. X .310 IN.

NOTE: ALL DIMENSIONS ARE FOR REFERENCE ONLY

The recommended bottle neck measurements shown are based upon our current knowledge. It is the responsibility of the receiver of the information contained in these drawings to test for fit and function of the total package. Dimensions shown are intended for polyethylene bottles only. If another bottle material is used, some dimensions and tolerances may require adjustment.

REV.	REVISION DESCRIPTION	PROD. ENG.	REV. DATE
A	REMOVED "PRESS" FROM ACTUATOR	TMM	12-OCT-06
SEAQUIST CLOSURES A DIVISION OF APTARGROUP INC. <small>Possession of this drawing is an acknowledgement that it and its contents are the exclusive property of Seaquist Closures. This drawing may not be reproduced in any form whatsoever nor given to any third party without written permission from Seaquist Closures.</small>		TITLE. 24-410 DISC TOP, GLOSSY BODY, CRAB CLAW SEAL, GLOSSY FLAT ACTUATOR	
		DWG. BY:	DATE: 17-Aug-06
CUSTOMER SPECIFICATION DRAWING		SHEET 1 OF 2	
		DWG. NO: CS-2478-2086-A	



RECOMMENDED NECK FINISH

8 T.P.I. (THREADS PER INCH)
 "M" STYLE THREAD (MODIFIED BUTTRESS)

The recommended bottle neck measurements shown are based upon our current knowledge. It is the responsibility of the receiver of the information contained in these drawings to test for fit and function of the total package. Dimensions shown are intended for polyethylene bottles only. If another bottle material is used, some dimensions and tolerances may require adjustment.

REV.	REVISION DESCRIPTION	PROD. ENG.	REV. DATE
-	SEE SHEET 1 FOR REVISION DESCRIPTION	-	-
SEAQUIST CLOSURES A DIVISION OF APTARGROUP INC. <small>Possession of this drawing is an acknowledgement that it and its contents are the exclusive property of Seaquist Closures. This drawing may not be reproduced in any form whatsoever nor given to any third party without written permission from Seaquist Closures.</small>		TITLE: 24-410 DISC TOP, GLOSSY BODY, CRAB CLAW SEAL, GLOSSY FLAT ACTUATOR	
		DWG. BY:	DATE: 17-Aug-06
		SHEET 2 OF 2	
CUSTOMER SPECIFICATION DRAWING		DWG. NO: CS- 2478-2086	