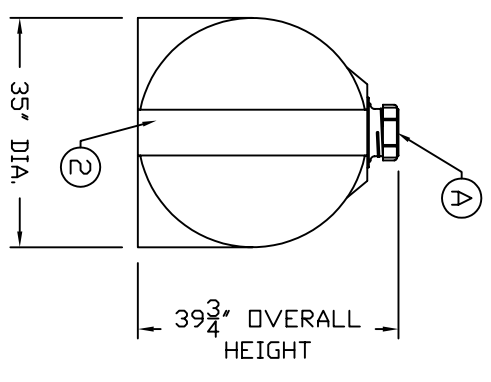
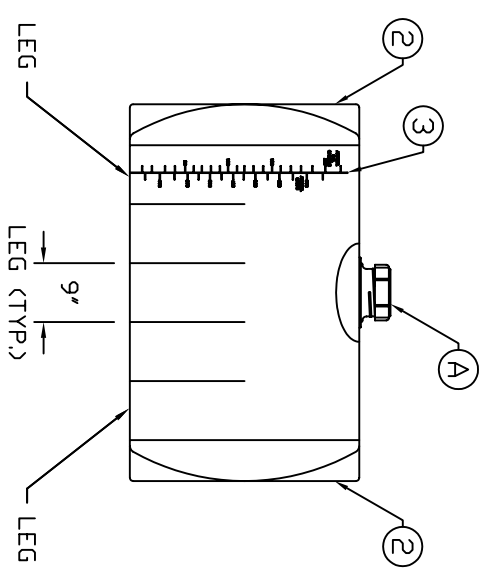
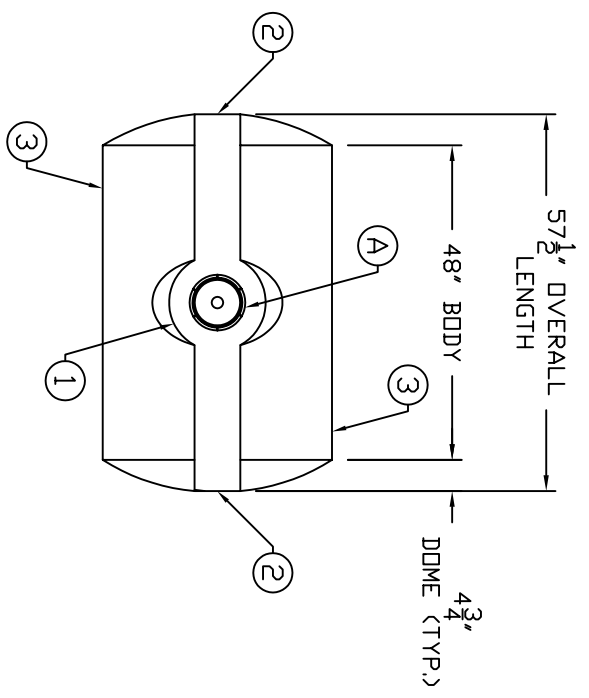


ACCESSORIES					
MK	SIZE	DESCRIPTION	DEG	ELEV	DOME
A	7'	ACCESS W/ THREADED COVER	CL	-	X



- NOTES:
1. 15" DIA. MANWAY BOSS
 2. 7" WIDE END FLAT
 3. MOLDED IN VOLUME MARKER

REV	REVISION DESCRIPTION	REV DATE
C	UPDATED TITLE BLOCK	1/21/09 MG
B	ADDED MOLDED IN VOLUME MARKER & REVISED MANWAY ACCESS	9/29/06
A		6/5/95

Ice Lomax
CORPORATION OF AMERICA

300 N TAYLOR ROAD
GARRETT, IN 46728
PHONE: (260) 337-3181
FAX: (260) 337-3728

TITLE: IHFS 200 GAL. CYLINDRICAL FREE STANDING HORIZONTAL STOR. TANK

DESIGNED BY: D. CRANER
ISSUED DATE: 11/23/93
SALES ENGINEER

POLYETHYLENE
TANK RESISTED SPECIFIC GRAVITY - SP.G. MAX
TANK WEIGHT - LBS.
RESIN USED

DWG NUMBER: IHFS 200
REV: C

ALL DIMENSIONS ARE IN INCHES AND ARE ±3%