

PROPRIETARY DATA

PROPERTY OF ACE ROTO-MOLD MFG., INC. INFORMATION FURNISHED HEREIN IS THE PROPERTY OF ACE ROTO-MOLD MFG., INC. AND SHALL NOT BE USED, DISCLOSED TO OTHERS, OR COPIED WITHOUT THE EXPRESSED WRITTEN CONSENT OF ACE ROTO-MOLD MFG., INC. ALL RIGHTS RESERVED.

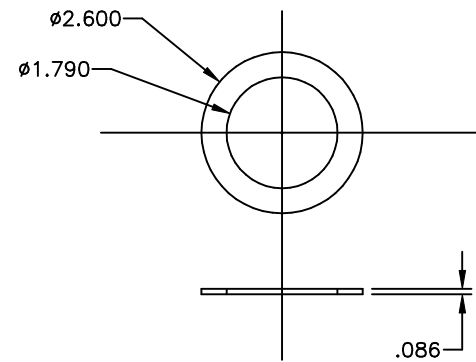
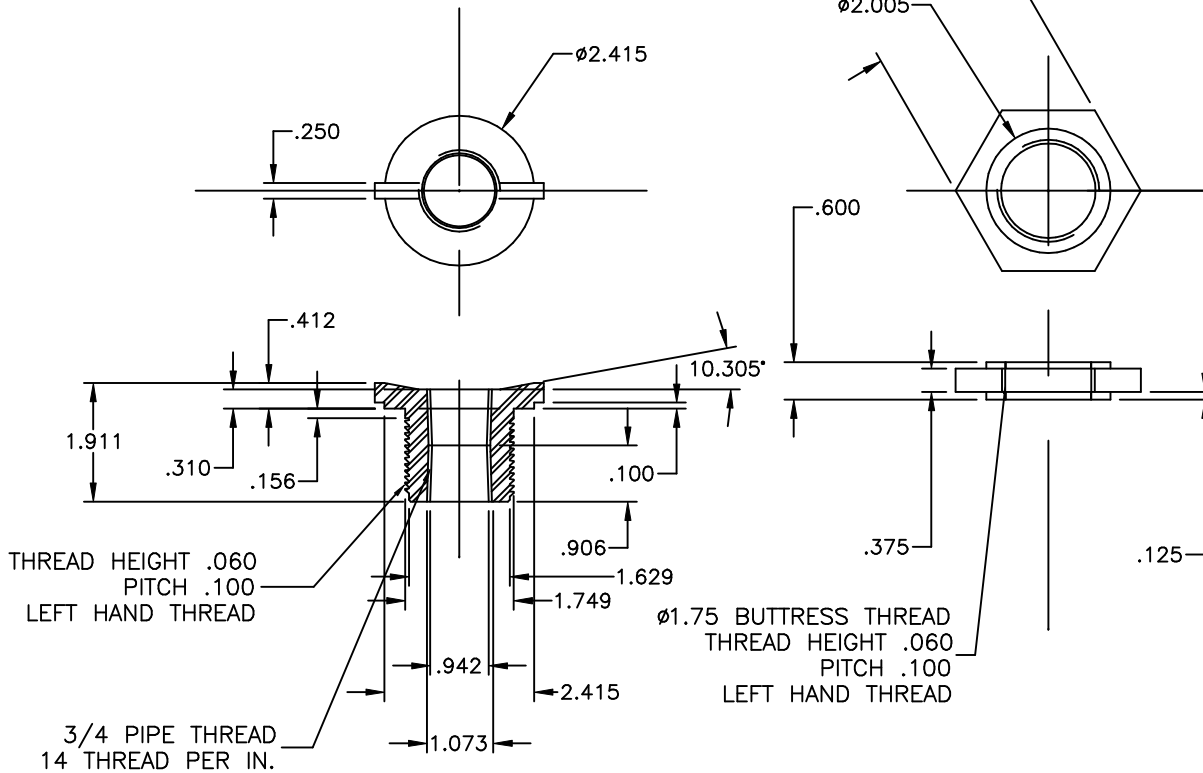
10484

A

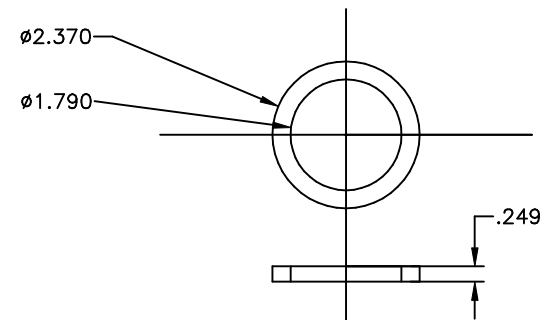
POLYPROPYLENE BODY


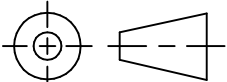
POLYPROPYLENE NUT

POLYPROPYLENE WASHER



SANTOPRENE GASKET



				DRAWN / DATE NVE 6/20/05	MATERIAL POLYPROPYLENE REFERENCE MATERIAL DATA SHEET FOR SPECIFIC PROPERTIES.		 INJECTION MOLDING A DIVISION OF DEN HARTOG INDUSTRIES, INC. 4010 HOSPERS DRIVE S., BOX 425, HOSPERS, IOWA 51238-0425	
A	UPDATE LOGO AND TOL. CCN 1296	4-18-07	GWC	APPRD. / DATE DHJ 9/21/05			CLIENT / DESCRIPTION 3/4" BULKHEAD	
REV	DESCRIPTION	DATE	APPRD			SCALE N.S.		PART NO. 10484
ALL DIMENSIONS ARE IN DECIMAL INCHES TOLERANCES UNLESS OTHERWISE SPECIFIED .XXX +/- .016" .XX +/- .032" .X +/- .062"				THIRD ANGLE PROJECTION ANSI 14.5M 		NOTES: 1. BLACK COLOR		