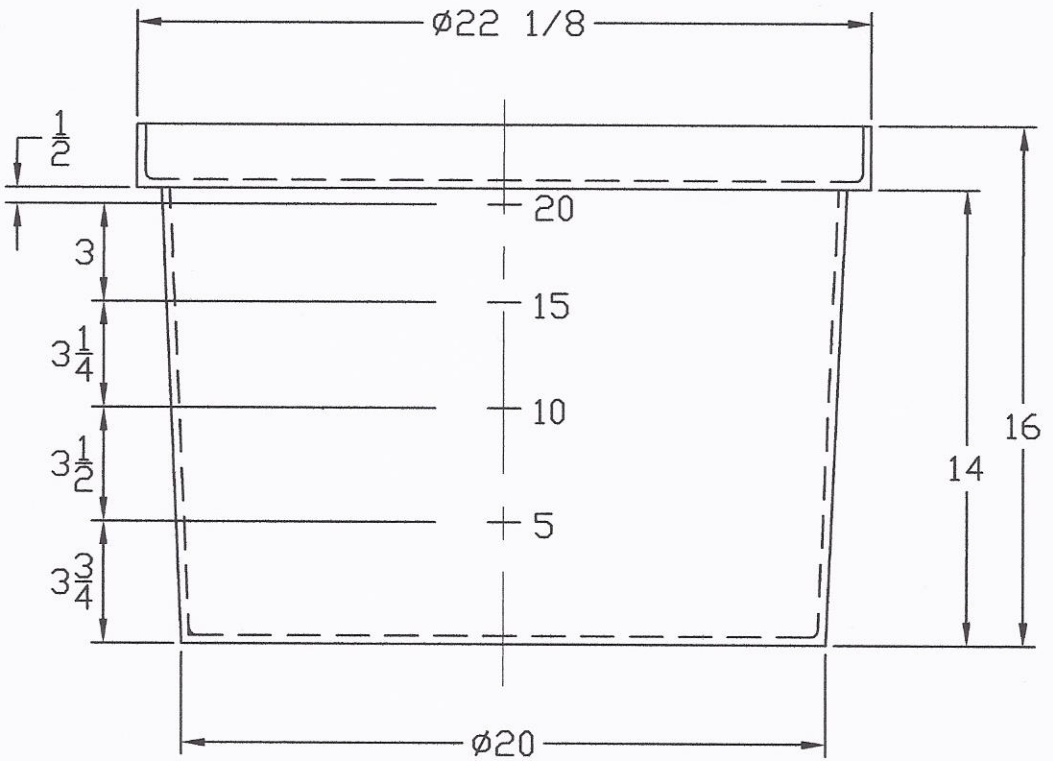
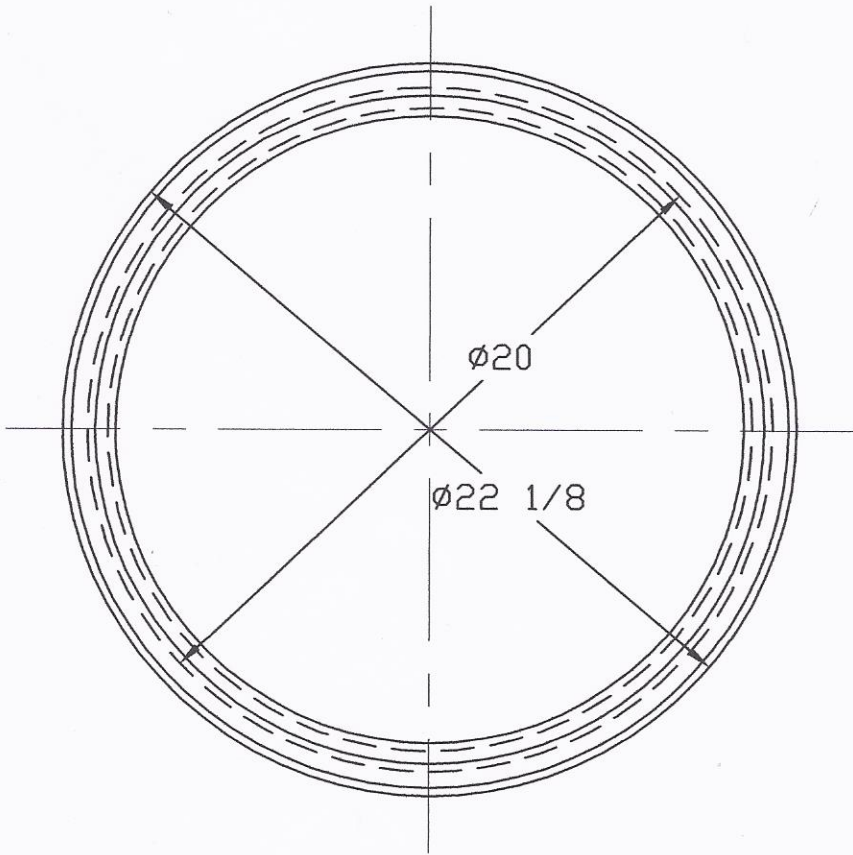


THIS DRAWING & DESIGN IS THE PROPERTY OF CHEM-TAINER INDUSTRIES INC. IT MAY NOT BE USED FOR ANY PURPOSE OTHER THAN BY THE OWNER. CHEM-TAINER DOES NOT AUTHORIZE THE REPRODUCTION OR CONVEYANCE OF ANY INFORMATION CONTAINED HEREIN.



ALL DIMENSIONS SHOWN ARE OUTSIDE PART DIMENSIONS IN INCHES, AND VARY BY THE STANDARD ROTATIONAL MOLDING TOLERANCE OF +21-3%.

Rev. 0	Date 03/15/01	File Name TC2214-3
CHEM-TAINER		
Industries Inc. 361 Neptune Ave. W.Babylon, NY 11704 (631) 661-8300 Fax: (631) 661-8209		
Date 1/17/13	Drawn By C.S	Mold Location FL
TITLE 20 GAL TAPERED CYLINDRICAL TANK		
Part # TC2214QA	Dwg. # TC2214-3	Cust. Rep.