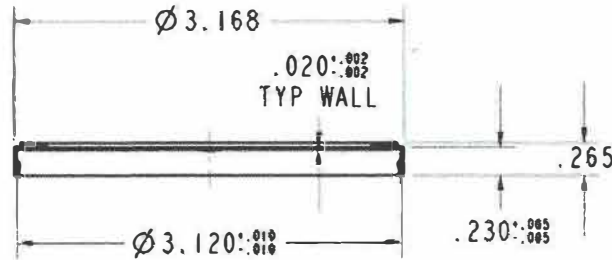
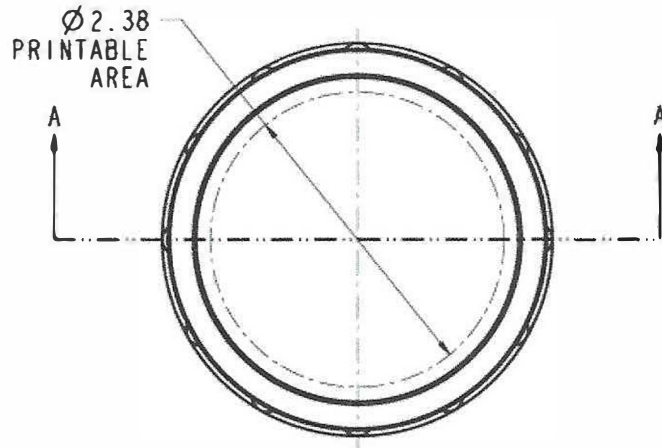


51




SECTION A-A

MATERIAL: LLDPE
PART WEIGHT: 3.6 ± 1.0 GRAMS

L302-2

CONFIDENTIAL

THIS DRAWING IS THE PROPERTY OF LANDIS PLASTICS, INC. IT IS NOT TO BE DUPLICATED OR USED DIRECTLY OR INDIRECTLY IN ANY WAY DETRIMENTAL TO LANDIS PLASTICS, INC. FOR PURPOSES OTHER THAN THAT FOR WHICH IT IS FURNISHED.

TOLERANCES UNLESS OTHERWISE SPECIFIED			LANDIS PLASTICS, Inc.		PHONE (708) 239-2390
			19600 SOUTH CENTRAL AVENUE CHICAGO RIDGE, IL 60415		FAX (708) 422-4315
MOLDING	TOOLING	TITLE SPECIFICATION DRAWING			
	.XX ± .001	PART No	DP-1945-2	DESCRIPTION	302 OVERCAP LID
DECIMALS ± 015	XX ± 005	DRAWN BY	DDW	CHECKED BY	DDW
FRACCTIONS ± 1/32	FRACCTIONS ± 1/64	DATE	25-Feb-02	DATE	25-Feb-02
ANGLES ± 2°	ANGLES ± 1/2°	SCALE	1:1	SHEET	2 OF 2
		DWG. No.	19452PP_10_02		REV.