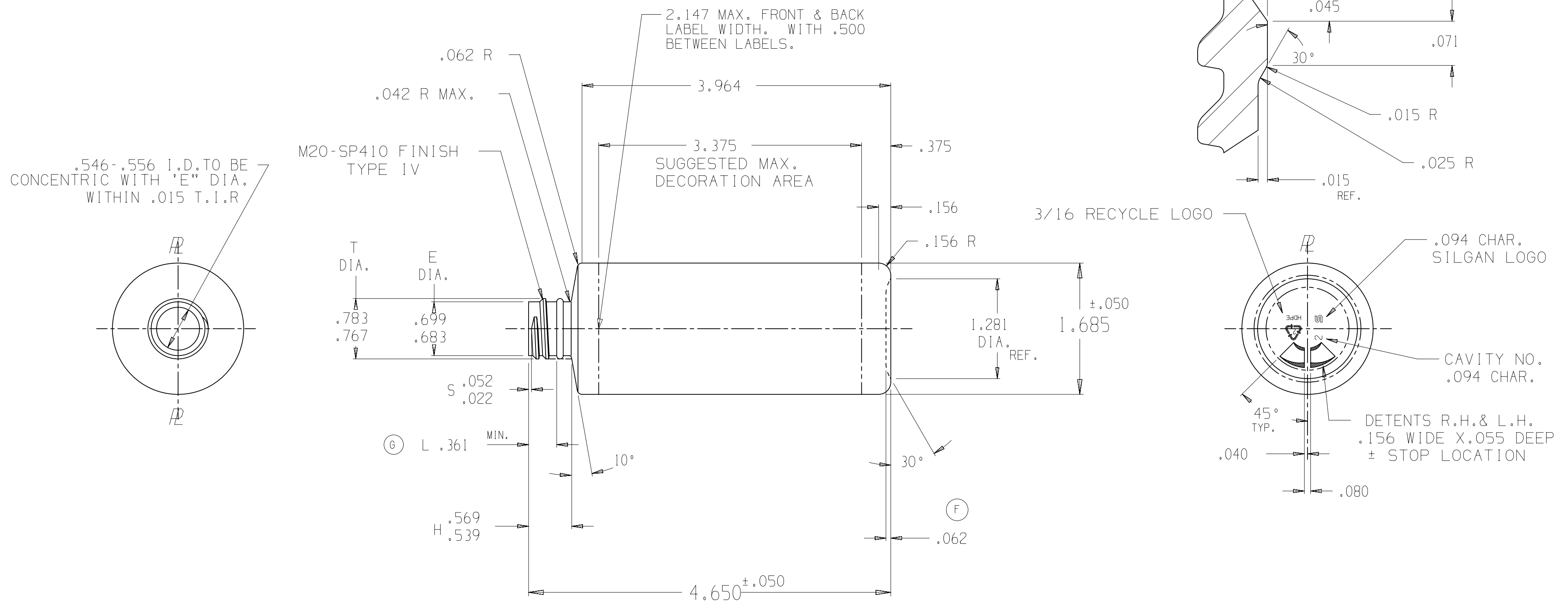


FINISH I.D. DETAIL

SCALE: 8:1



NOTES :

- OVERFLOW CAPACITY :  $4.77 \pm .17$  FL.OZ. ( $141.0 \pm 5.0$  CC'S.)
- WEIGHT :  $12.9 \pm 1.0$  GRAMS
- MIN. WALL :  $.015$

REVISIONS			
LTR	DESCRIPTION	DATE	BY
H	OFC WAS 4.63 OZ (136.9 CC); MIN WALL WAS $.012$ "	21DEC01	KENT
J	ADDED LABEL P-00907-06	31MAY17	MKR


CODE CHART		TOOL CHART	
1	H1M65-234	1	B-TD26-3109
2	H1M65-476	2	P-TD26-3103
3	H1M65-502		
4	H1M65-525		

DIMENSIONS SHOWN ARE:

AS MOLDED  AFTER TREAT

AFTER TREAT & DECO

THIS DRAWING HAS BEEN PREPARED BY SILGAN PLASTICS FOR OUR OWN PRODUCTION OF THE ARTICLE SHOWN AND MAY NOT BE COPIED OR UTILIZED BY OTHERS WITHOUT OUR PRIOR WRITTEN CONSENT.

DRAWN BY R.M.	MATERIAL HDPE	CUSTOMER SILGAN PLASTICS CORP.
DATE 9/23/77	QUOTE NO.	DESCRIPTION 4 FL. OZ. REG. CYLINDER
INFO.	LABEL DWG. NO. P-00907-06	 TECHNICAL CENTER 1858 MECA WAY NORCROSS, GA 30093
	REF. DWG. NO. A-921759-2	
CAD UG	TOOLING NO. SEE CHART	
SCALE FULL	CODE NO. SEE CHART SURF. AREA	
		DRAWING NO. MC-9-8295-H