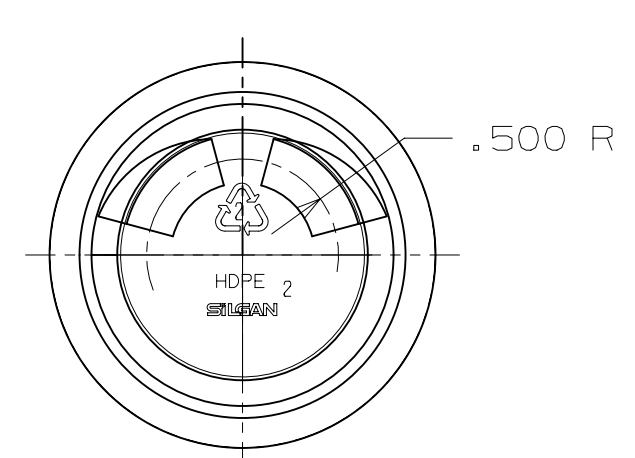


NOTES :

- 1) OVERFLOW CAPACITY : 9.14 ± .24 FL.OZ.
(270.4 ± 7.0 CC'S.)
- 2) WEIGHT : 17.0 ± 1.0 GRAMS
- 3) T & E ARE AN AVERAGE OF TWO MEASUREMENTS TAKEN 90° APART.



| | |
|------------|-----------|
| 2 | RDM-69232 |
| 1 | HDM-69231 |
| CODE CHART | |

DIMENSIONS SHOWN ARE:

AS MOLDED AFTER TREAT

AFTER TREAT & DECO

THIS DRAWING HAS BEEN PREPARED BY SILGAN PLASTICS FOR OUR OWN PRODUCTION OF THE ARTICLE SHOWN AND MAY NOT BE COPIED OR UTILIZED BY OTHERS WITHOUT OUR PRIOR WRITTEN CONSENT.

| | |
|------------------|--|
| DRAWN BY KENT | MATERIAL HDPE |
| DATE 13DEC07 | LABEL DWG. NO. P-03732-02 P-03732-03 |
| DWG. SIZE C | REF. DWG. NO. E-03732-01-A |
| INFO. A | TOOLING NO. TD31-15833 |
| CAD UG | CODE NO. SEE CHART |
| SCALE FULL | SURF. AREA 41.7 IN2 |

| | | |
|-------------|---|--|
| CUSTOMER | SILGAN PLASTICS | |
| DESCRIPTION | 8 FL. OZ. STYLELINE CYLINDER | |
| |  TECHNICAL CENTER 1858 MECA WAY NORCROSS, GA 30093 | |
| DRAWING NO. | M-03732-01-A | |

| | | | |
|-----------|--------------------|---------|----------|
| A | ADDED LABEL DWGS # | 22APR14 | KENT |
| LTR | DESCRIPTION | DATE | APPROVED |
| REVISIONS | | | |