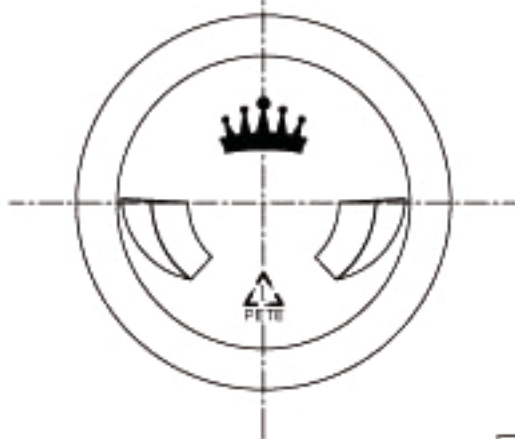


S/2:1



	Name	Date	<b>McKernan</b> PACKAGING CLEARING HOUSE
Drawn		2013. 2. 24	
Checked		Material	Part Number: <b>EP-46075</b>
O.F. Capacity	135ml	PET	
Nominal Capacity			
Weight	12.5 ± 1g	Scale 1: 1	Page 1/1