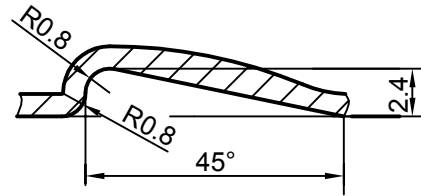
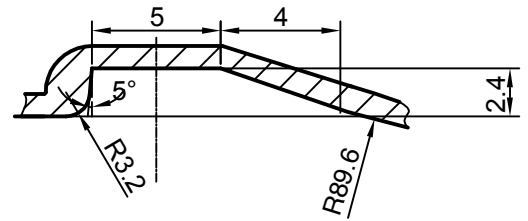


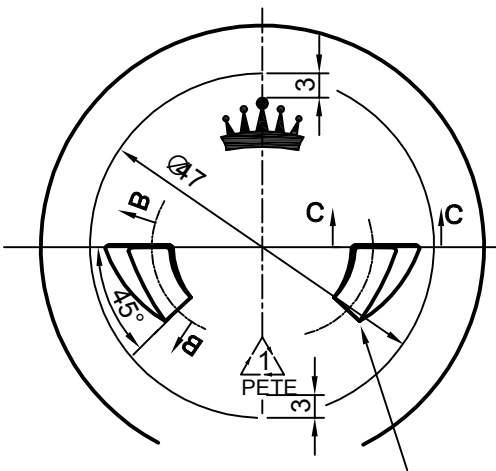
S/2:1



B - B
4:1



C - C
4:1



EP-46080		DATE		
		2012.9.15		
O.F. CAPACITY	270ml	PET	PRODUCT NAME: 8oz Boston round	
GRAM WEIGHT	23±2g		RATIO: 1: 1	PAGE: 1/1