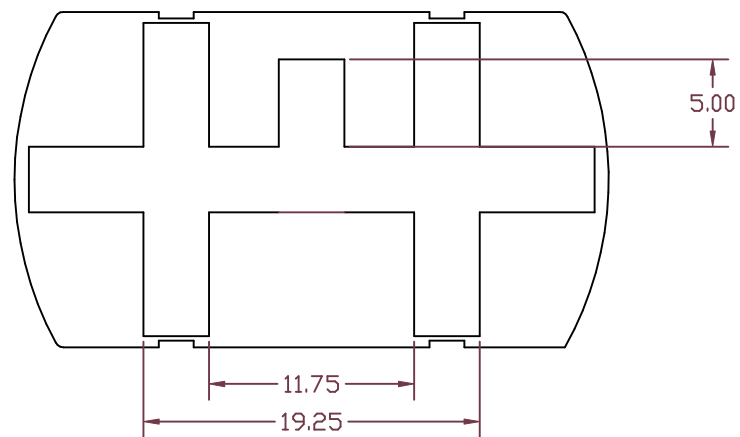
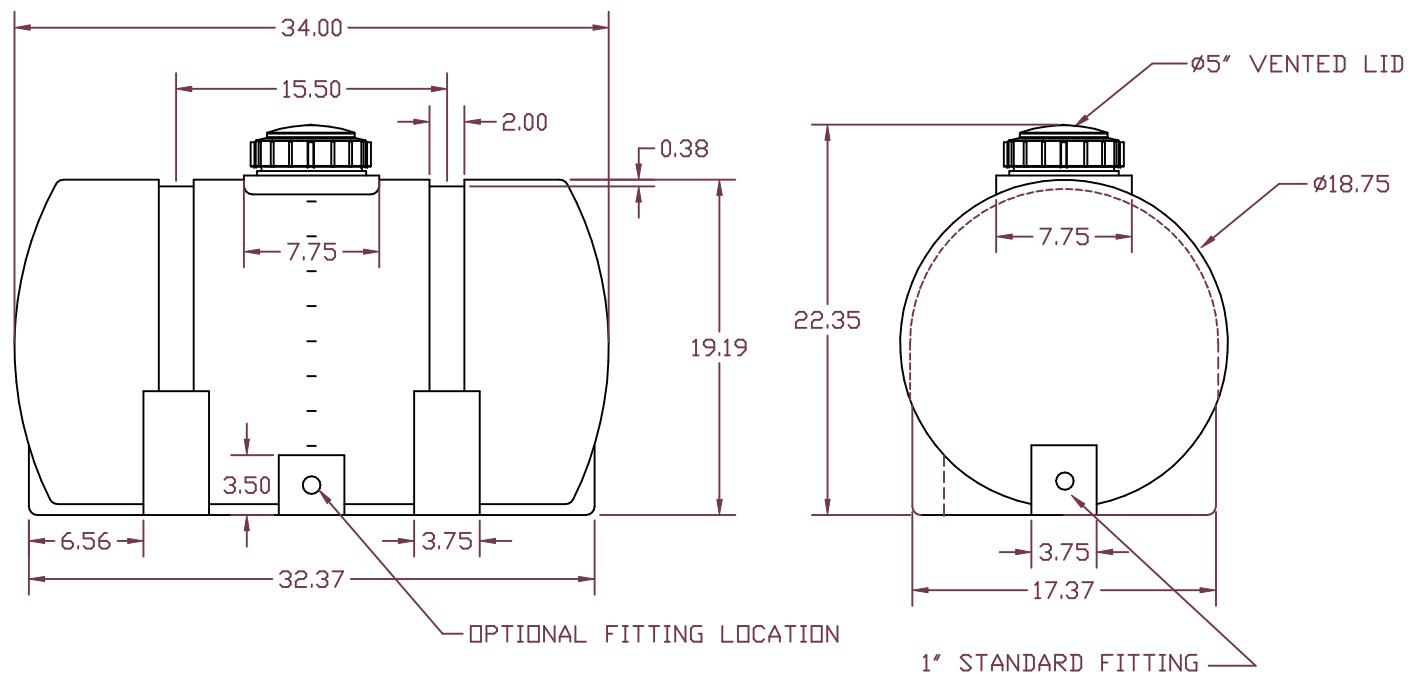


PROPRIETARY DATA


PROPERTY OF ACE ROTO-MOLD MFG., INC. INFORMATION FURNISHED HEREIN IS THE PROPERTY OF ACE ROTO-MOLD MFG., INC. AND SHALL NOT BE USED, DISCLOSED TO OTHERS, OR COPIED WITHOUT THE EXPRESSED WRITTEN CONSENT OF ACE ROTO-MOLD MFG., INC. ALL RIGHTS RESERVED.

FS0035-18

B



B	35 WAS 25	CCN1496	12/10/07	ADH	DRAWN / DATE DHJ 9/18/03	MATERIAL HDPE OR EQUIVALENT REFERENCE MATERIAL DATA SHEET FOR SPECIFIC PROPERTIES.
A	ADD FITTING		9/29/04		APPRD. / DATE REH 9/27/05	NOTES: 1. 0.152 NOM. WALL 2. BLACK, WHITE OR YELLO COLOR 2. .SHOT WEIGHT 14 LBS.
REV	DESCRIPTION		DATE	APPRD		
ALL DIMENSIONS ARE IN DECIMAL INCHES TOLERANCES UNLESS OTHERWISE SPECIFIED \pm 1% @ 68° F					THIRD ANGLE PROJECTION ANSI 14.5M 	



ACE ROTO-MOLD
A DIVISION OF DEN HARTOG INDUSTRIES, INC.
4010 HOSPERS DRIVE SOUTH, BOX 425, HOSPERS, IOWA 51238

CLIENT / DESCRIPTION	
® 35 GALLON FREE STANDING TANK	
SCALE	PART NO.
N.S.	FS0035-18