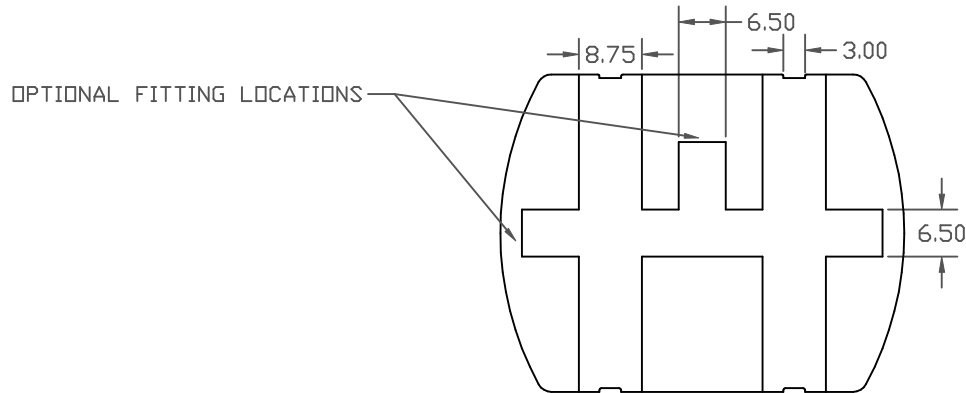
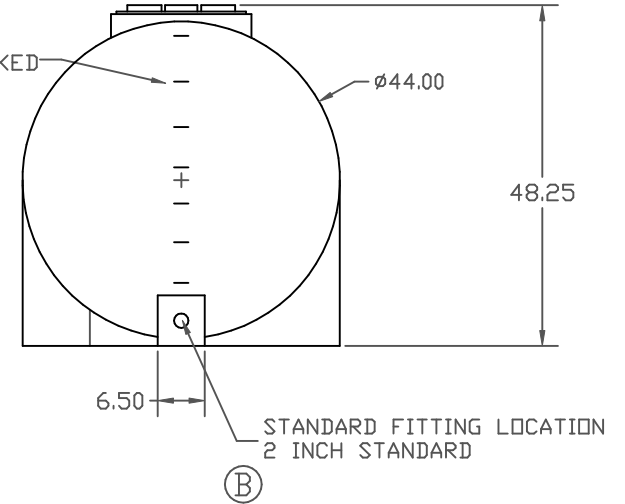
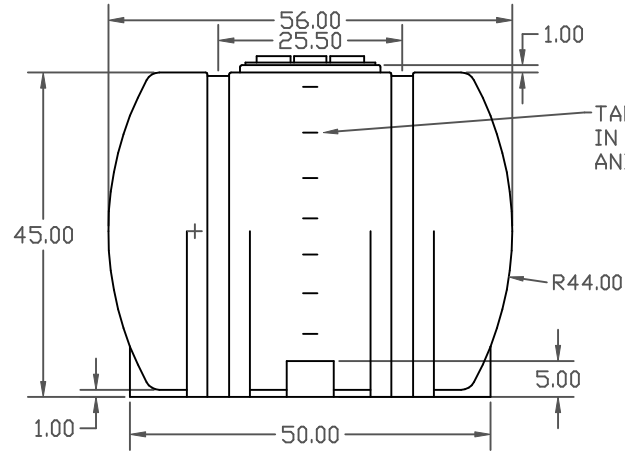
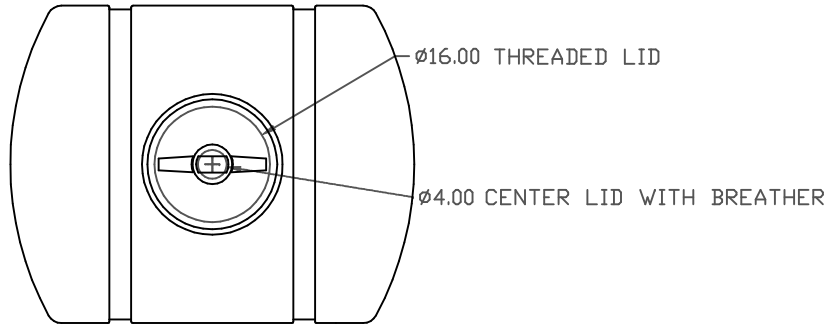


PROPRIETARY DATA

PROPERTY OF ACE ROTO-MOLD MFG., INC. INFORMATION FURNISHED HEREIN IS THE PROPERTY OF ACE ROTO-MOLD MFG., INC. AND SHALL NOT BE USED, DISCLOSED TO OTHERS, OR COPIED WITHOUT THE EXPRESSED WRITTEN CONSENT OF ACE ROTO-MOLD MFG., INC. ALL RIGHTS RESERVED.

FS0335-44

B



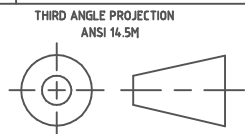
					DRAWN / DATE DHJ 12/20/02	MATERIAL HDPE OR EQUIVALENT REFERENCE MATERIAL DATA SHEET FOR SPECIFIC PROPERTIES.
B	CLARIFY STANDARD FITTING	10/2/07	DHJ		APPRD. / DATE ADH 11/9/07	
A	NEW DRAWING FORMAT	10/11/05	NVE			
REV	DESCRIPTION	DATE	APPRD	CCN		

ACE ROTO-MOLD
A DIVISION OF DEN HARTOG INDUSTRIES, INC.
4018 HWY. 60 BLVD., BOX 421, HOSPERS, IOWA 51238

CLIENT / DESCRIPTION
335 GALLON FREE-STANDING TANK

ALL DIMENSIONS ARE IN DECIMAL INCHES
TOLERANCES UNLESS OTHERWISE SPECIFIED

± 1% @ 68° F



- NOTES:
1. WHITE, BLACK, YELLOW OR DESERT TAN COLOR
2. SHOT WEIGHT 116 LBS.
3. NOM. WALL @ 0.290
4. 3/4", 1", 1.25", 1.5", 2" OR 3" FITTING

SCALE
N.S.

PART NO.
FS0335-44