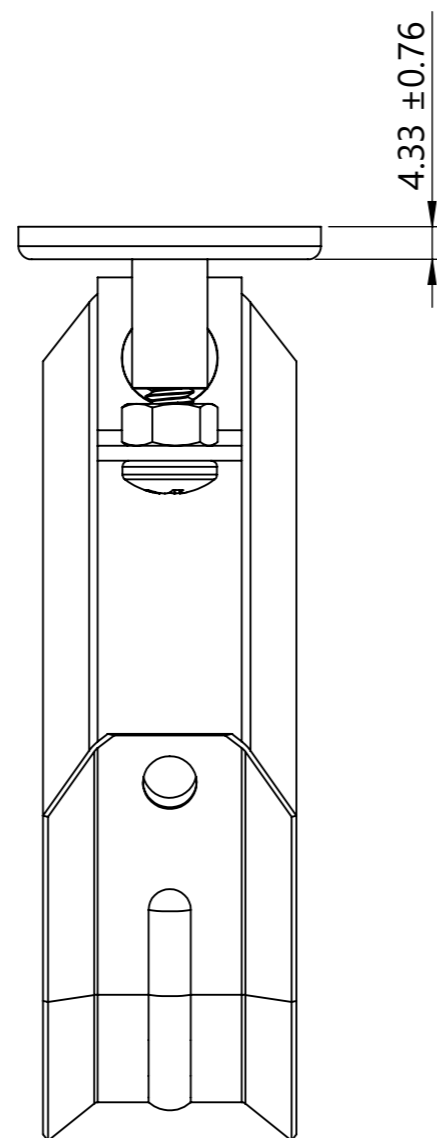
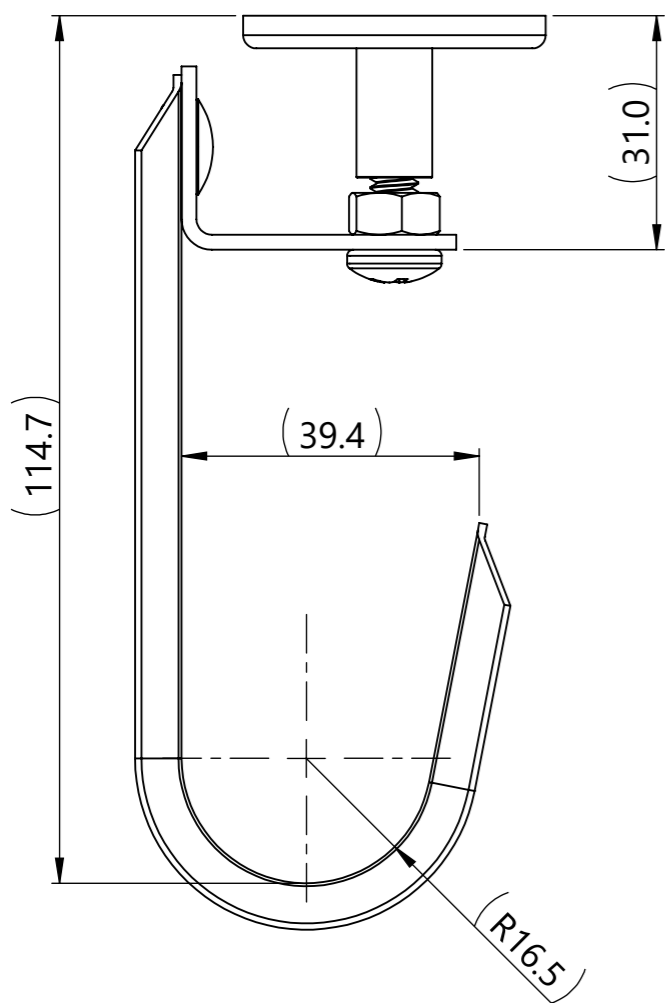


Isometric View
Scale 2 : 3

- Reference:
1. Material: See chart
 2. Material color: See chart
 3. Min. Vertical Pull Force: 311N (70 lbf)
 4. Magnets are very strong. Handling them with care is necessary to prevent personal injuries, property damages and magnet damages

J-Hook Cable Capacity	
Area 1.86 in ² Ø1-5/16 in.	
Cable Type	Qty.
CAT. 5e	50
CAT. 6	32
CAT.6A	7-15

UL Listing		
	ANSI/UL 1565	Positioning Devices E64139
CAN	CSA-C22.2 No. 18.5	311N (70 lbf) Vertical Pull
All testing performed using 3mm min. thick 1008-1010 steel plate		



Global Part Description	Item No.	Qty.	Material	Finish	Color
MAGJH90TS-NDFEB45/ST-ML	1	1	18-8 Stainless Steel	Passivated	Silver
	2	1		-	
	3	1	Steel	Nickel	
		1	NdFeB N45M	NiCuNi	
	4	1	Steel	Zinc	
	5	1		Zinc	
6	1	Steel	Zinc	Yellow	

Revision level			Revision Record		Drawn		Date (YYYY/MM/DD)		Title		Scale	
Drawing	State	Part	ECN 017485 - Initial Release			Johnson	2023/04/18	Magnetic J-Hooks, 1 5/16 in. diam. hook, Top Mount, 70 lbf pull rate		1:1		
00.0	Design Release	-				Approved	Date (YYYY/MM/DD)	Drawing-No		Global Project Number		
Changed	Date (YYYY/MM/DD)			Units		Toll	2023/04/20	23-0072-001-CSU		23-0072		
Johnson	2023/04/18			mm		HellermannTyton		Format		A3		
Approved	Date (YYYY/MM/DD)					www.HellermannTyton.com		Sheet		1/1		
Toll	2023/04/20											