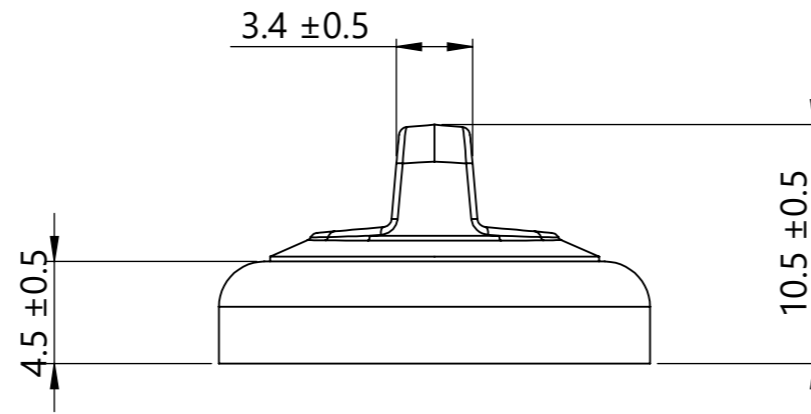
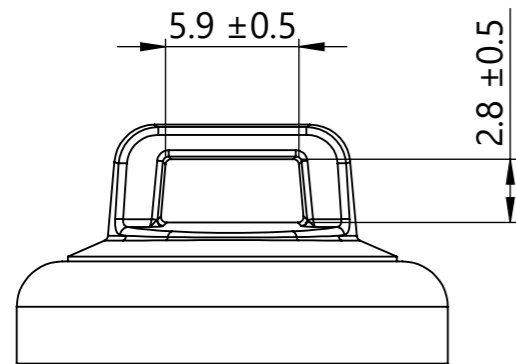


Isometric View



Reference:

1. Material: See chart
2. Material color: See chart
3. Min. Vertical Pull Force: 44.5N (10 lbf)
4. Maximum percent regrind permissible: 10%
5. Maximum allowable flash to be: 0.25mm
6. Magnets are very strong. Handling them with care is necessary to prevent personal injuries, property damages and magnet damages

	UL Listing	
	ANSI/UL 62275	Positioning Devices TYPE 21 E64139 44N (10 lbf) Vertical Pull
All testing performed using 3mm min. thick 1008-1010 steel plate		

Global Part Description	Item No.	Qty.	Material	Finish	Color
MAGCTM10S-NDFEB35/POM/ST-BK	1	1	POM	-	Black
	2	1	NdFeB N35M	NiCuNi	Silver
		1	Steel	Epoxy	Black

Revision level			Revision Record		
Drawing	State	Part	ECN 017476 - Initial Release		
00.3	Design Release	-			
Changed	Date (YYYY/MM/DD)				
Johnson	2023/03/10				
Approved	Date (YYYY/MM/DD)				
Toll	2023/04/14				

The copyright of this drawing is reserved by HellermannTyton.

All drawing revision are stored in CAD PDM database

www.HellermannTyton.com

Drawn	Date (YYYY/MM/DD)	Title Magnetic Cable Tie Mount Small, 10 lbf pull rate, Black	Scale	3:1	
Johnson	2023/03/10		Global Project Number	23-0064	
Approved	Date (YYYY/MM/DD)		Format	A3	
Toll	2023/04/14	Drawing-No	23-0064-002-CSU	Sheet	1/1