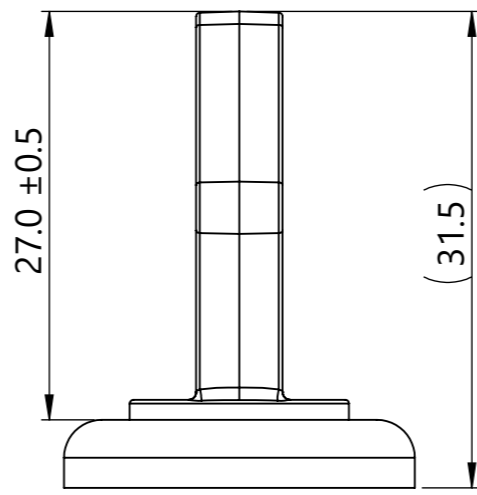
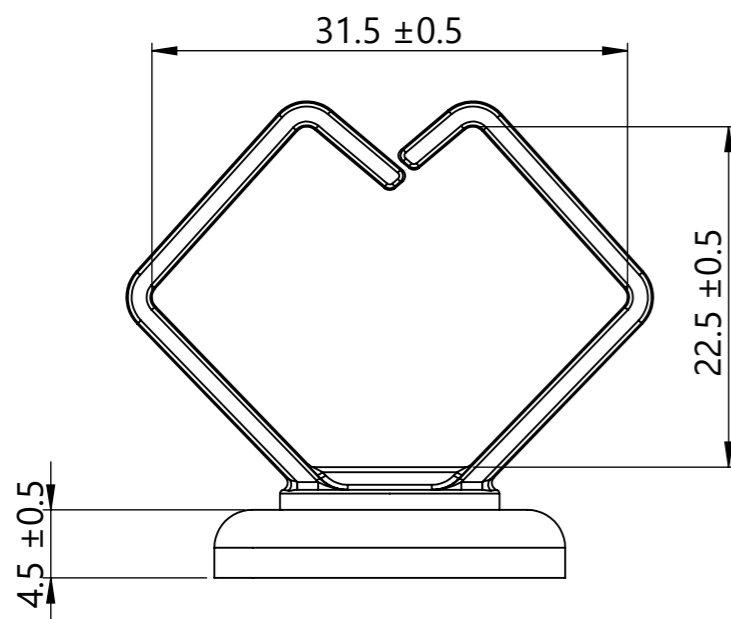


Isometric View

- Reference:
1. Material: See chart
 2. Material color: See chart
 3. Min. Vertical Pull Force: 66.7N (15 lbf)
 4. Maximum percent regrind permissible: 10%
 5. Maximum allowable flash to be: 0.25mm
 6. Magnets are very strong. Handling them with care is necessary to prevent personal injuries, property damages and magnet damages



UL Listing		
	ANSI/UL 1565	Positioning Devices TYPE 21 E64139
	CAN	CSA-C22.2 No. 18.5
66N (15 lbf) Vertical Pull		
All testing performed using 3mm min. thick 1008-1010 steel plate		

Global Part Description	Item No.	Qty.	Material	Finish	Color
MAGC15L-NDFEB35/POM/ST-POM-BK	1	1	POM	-	Black
	2	1	NdFeB N35M	NiCuNi	Silver
			Steel	Epoxy	Black

Revision level			Revision Record		
Drawing	State	Part	ECN 017485 - Initial Release		
00.0	Design Release	-			
Changed	Date (YYYY/MM/DD)				
Johnson	2023/04/18				
Approved	Date (YYYY/MM/DD)				
Toll	2023/04/20				

The copyright of this drawing is reserved by HellermannTyton.

All drawing revision are stored in CAD PDM database

Drawn: Johnson, Date: 2023/04/18

Approved: Toll, Date: 2023/04/20

HellermannTyton
www.HellermannTyton.com

Title	Magnetic Clip, 1 in. bundle diam., Large, 15 lbf pull rate	Scale	2:1
Global Project Number	23-0068	Format	A3
Drawing-No	23-0068-001-CSU	Sheet	1/1