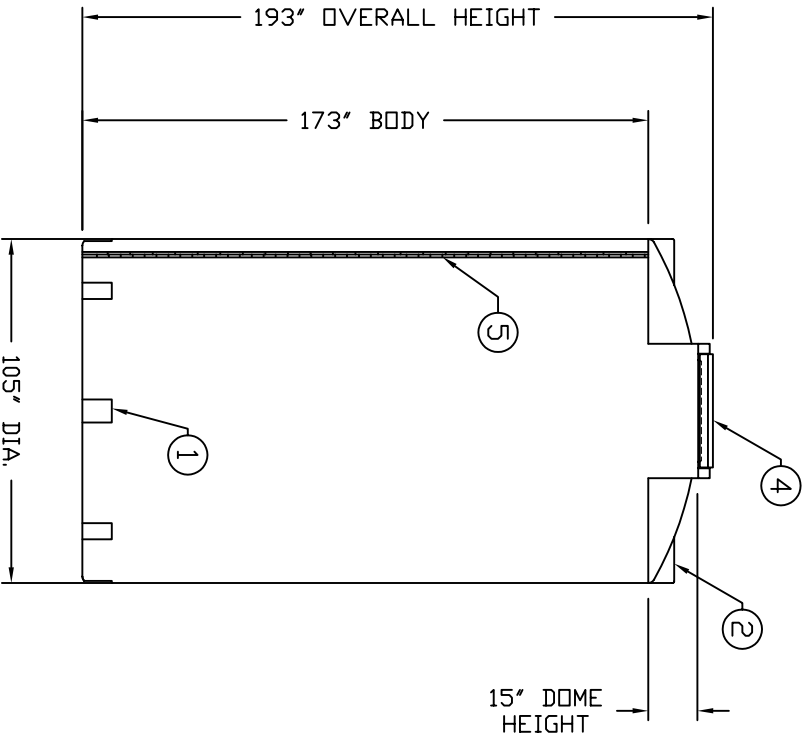
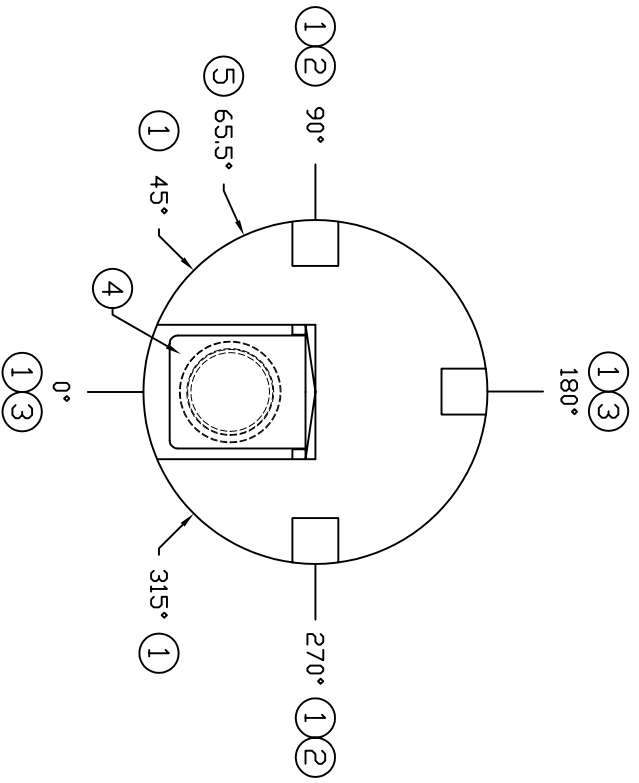


ACCESSORIES			
MK	SIZE	DESCRIPTION	DEG ELEV DOME



- NOTES:
- 1 7" x 9" LOWER FLATS (6 PLACES)
 - 2 14" x 14" DOME FLATS (3 PLACES)
 - 3 40" x 52" DOME FLAT
 - 4 24" MANWAY W/ HINGED COVER
 - 5 MOLDED IN VOLUME MARKER (250 GAL. INCREMENTS)

REV	REVISION DESCRIPTION	REV DATE
A	1 CHANGED DOME FTG FLATS TO 14" x 14" 2 ADDED MOLDED IN VOLUME MARKER 3 REVISED DRAWING TITLE BLOCK	

Assmann
CORPORATION OF AMERICA
300 N TAYLOR ROAD
GARRETT, IN 46728
PHONE: (260) 357-3181
FAX: (260) 357-3728

TITLE	ICT 6500 GALLON VERTICAL STORAGE TANK	TANK WEIGHT	LBS.
DRAWN BY	D. CRANGER	TANK CENTER	-
REVISED DATE	11/16/95	DWG NUMBER	ICT 6500
SALES ENGINEER	ASSMANN CORPORATION	REV	A

RESIN USED: POLYETHYLENE
TANK DESIGNED SPECIFIC GRAVITY: SP.G. MAX
ALL DIMENSIONS ARE IN INCHES AND ARE ±3%