

PROPRIETARY DATA

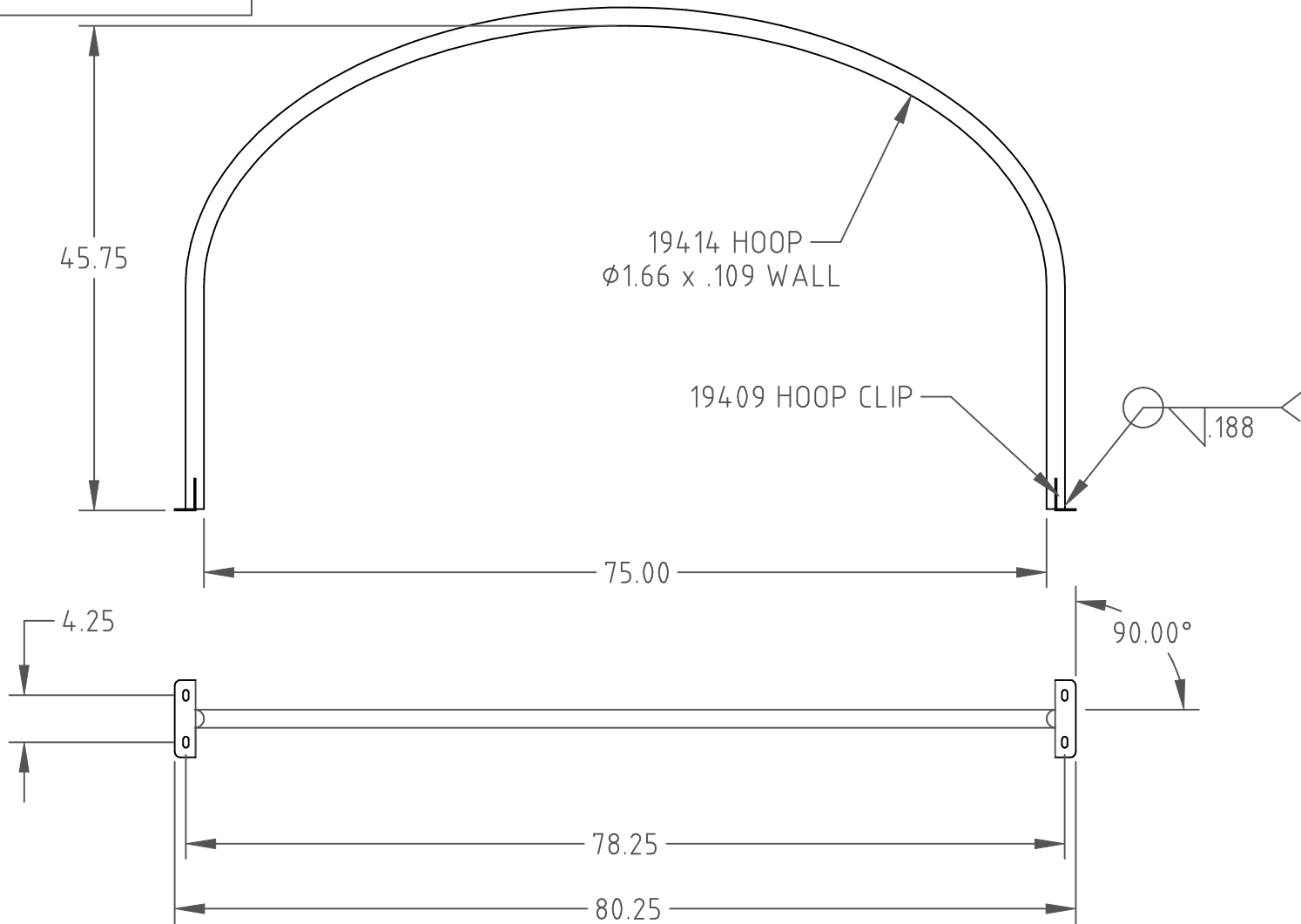
PROPERTY OF ACE ROTO-MOLD MFG., INC. INFORMATION FURNISHED HEREIN IS THE PROPERTY OF ACE ROTO-MOLD MFG., INC. AND SHALL NOT BE USED, DISCLOSED TO OTHERS, OR COPIED WITHOUT THE EXPRESSED WRITTEN CONSENT OF ACE ROTO-MOLD MFG., INC. ALL RIGHTS RESERVED.

FS1610-HPFS

B

FS1610-HP 4 PER SET

®



		DRAWN / DATE DHJ 3/13/06		MATERIAL	
B	ADD TEXT BOX	4/2/07	GWC		
A	TOLERANCE WAS 1% @ 68° F	3/19/07	GWC	APPRD. / DATE ADH 11/9/07	
REV	DESCRIPTION	DATE	APPRD		
ALL DIMENSIONS ARE IN DECIMAL INCHES TOLERANCES UNLESS OTHERWISE SPECIFIED DECIMAL +/- .125" FRACTION +/- 1/4" ANGLE +/- 2°				THIRD ANGLE PROJECTION ANSI 14.5M 	
				NOTES: 1. POWDER COAT BLACK 2. SHIPPING WEIGHT = 28 LB.	

## Ace Roto-Mold

A DIVISION OF DEN HARTOG INDUSTRIES, INC.  
 4018 HWY. 60 BLVD., BOX 421, HOSPERS, IOWA 51238

---

CLIENT / DESCRIPTION

1610 HOOP WELDMENT

---

SCALE N.S.	PART NO. FS1610-HPFS
---------------	-------------------------