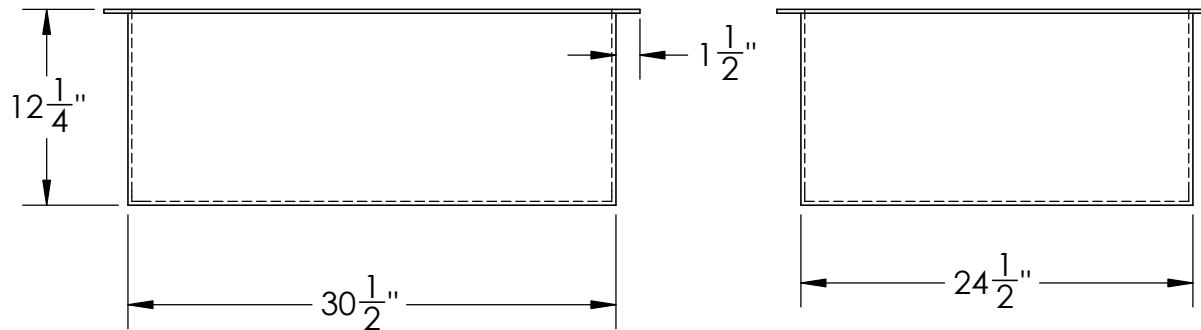
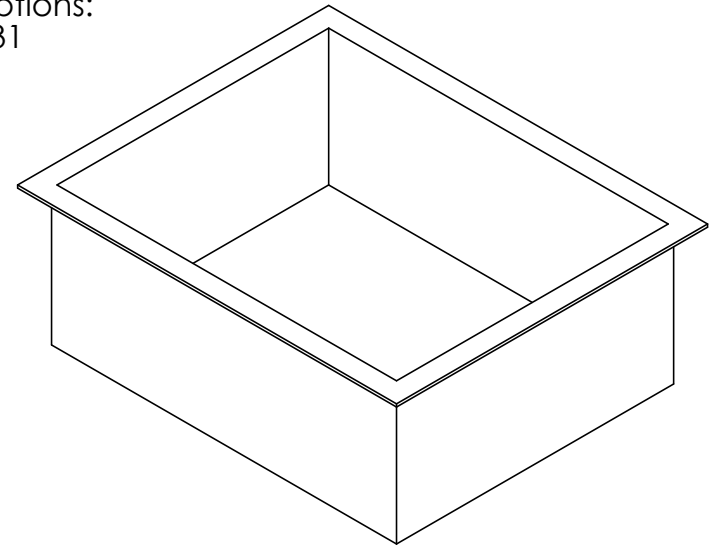


Catalog Options:
Cover #9131



Polypropylene High
Temperature Rectangular
Tank #9024



1390 Neubrecht Road
Lima, Ohio 45801

DIMENSIONS ARE IN INCHES TOLERANCE: ± 1/4"		NAME	DATE
MATERIAL POLYPROPYLENE	DRAWN	CDH	07/05/16
	APPROVED	BAT	07/14/16
CAPACITY 37 US gal.	COMMENTS: Welded Construction		
GRADUATIONS N/A			
NOMINAL WALL THICKNESS 1/4"			

STOCK NO.	REV
9024	A
DO NOT SCALE DRAWING	WEIGHT: 65 lbs.

PROPRIETARY AND CONFIDENTIAL
THE INFORMATION CONTAINED IN THIS
DRAWING IS THE SOLE PROPERTY OF
TAMCO. ANY REPRODUCTION IN PART
OR AS A WHOLE WITHOUT THE WRITTEN
PERMISSION OF TAMCO IS PROHIBITED.

MAX. OPERATING TEMP. 200°F
SEE CHEMICAL RESISTANCE
CHART FOR COMPATABILITY