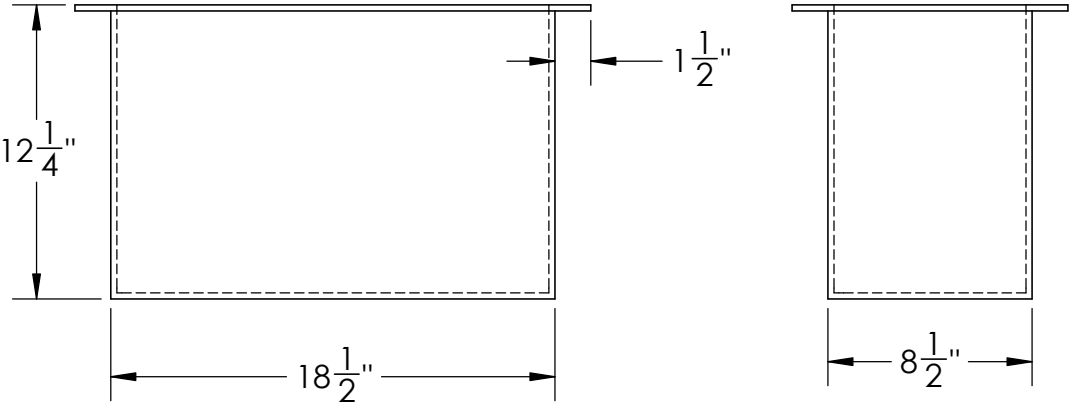
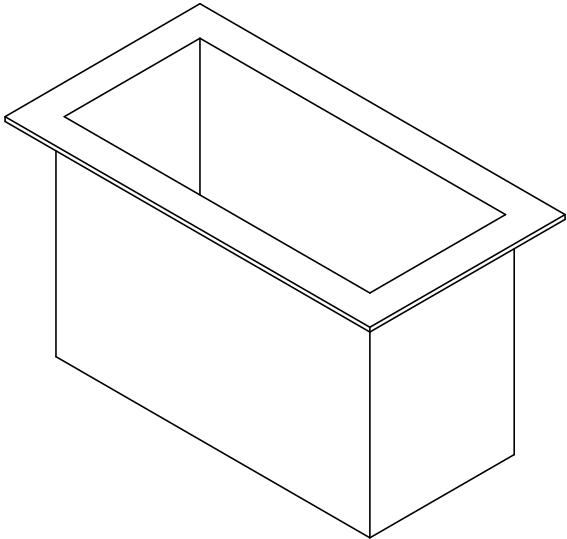
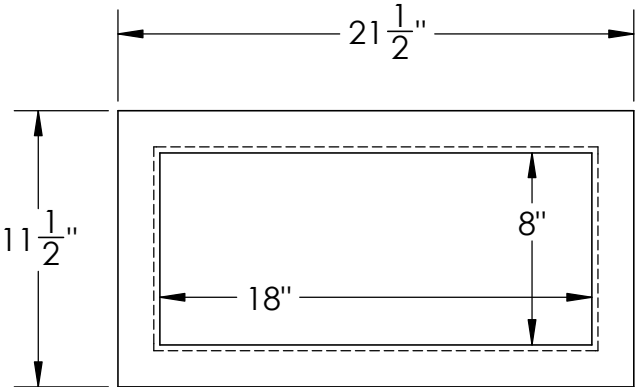


Catalog Option:  
Cover #9192



Polypropylene High  
Temperature Rectangular  
Tank #9162



1390 Neubrecht Road  
Lima, Ohio 45801

STOCK NO. **9162** REV **A**

DO NOT SCALE DRAWING WEIGHT: 10.2 lbs.

DIMENSIONS ARE IN INCHES TOLERANCE: ± 1/4"		NAME	DATE
MATERIAL POLYPROPYLENE		DRAWN CDH	07/06/16
CAPACITY 7 US gal.		APPROVED BAT	07/14/16
GRADUATIONS N/A		COMMENTS:  Welded Construction	
NOMINAL WALL THICKNESS 1/4"			

**PROPRIETARY AND CONFIDENTIAL**  
THE INFORMATION CONTAINED IN THIS  
DRAWING IS THE SOLE PROPERTY OF  
TAMCO. ANY REPRODUCTION IN PART  
OR AS A WHOLE WITHOUT THE WRITTEN  
PERMISSION OF TAMCO IS PROHIBITED.

MAX. OPERATING TEMP. 200°F  
SEE CHEMICAL RESISTANCE  
CHART FOR COMPATABILITY