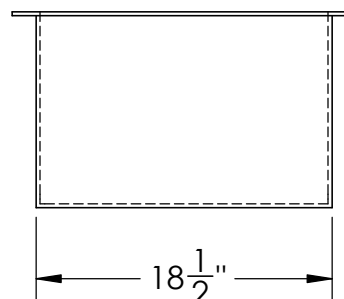
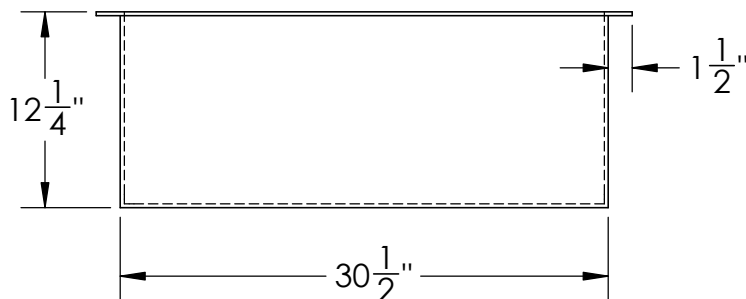
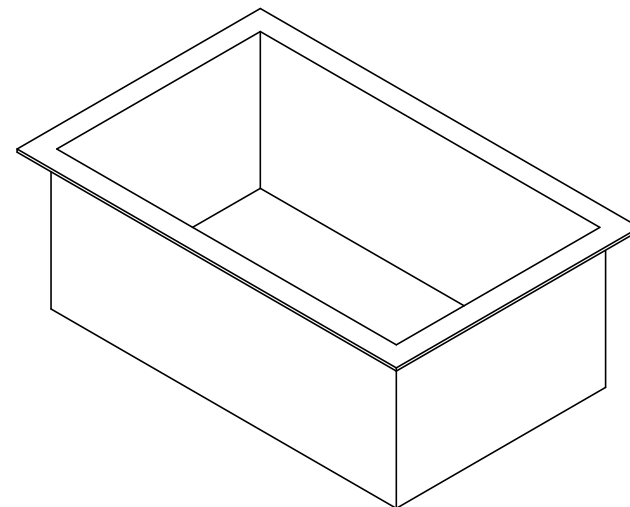


Catalog Options:
Cover #9132



Polypropylene High
Temperature Rectangular
Tank #9169



1390 Neubrecht Road
Lima, Ohio 45801

STOCK NO.

9169

REV

A

DO NOT SCALE DRAWING

WEIGHT: 42 lbs.

DIMENSIONS ARE IN INCHES TOLERANCE: ± 1/4"		NAME	DATE
MATERIAL	POLYPROPYLENE	DRAWN	CDH 07/05/16
CAPACITY	28 US gal.	APPROVED	BAT 07/14/16
GRADUATIONS	N/A	COMMENTS: Welded Construction	
NOMINAL WALL THICKNESS	1/4"		

PROPRIETARY AND CONFIDENTIAL
THE INFORMATION CONTAINED IN THIS
DRAWING IS THE SOLE PROPERTY OF
TAMCO. ANY REPRODUCTION IN PART
OR AS A WHOLE WITHOUT THE WRITTEN
PERMISSION OF TAMCO IS PROHIBITED.

MAX. OPERATING TEMP. 200°F
SEE CHEMICAL RESISTANCE
CHART FOR COMPATABILITY