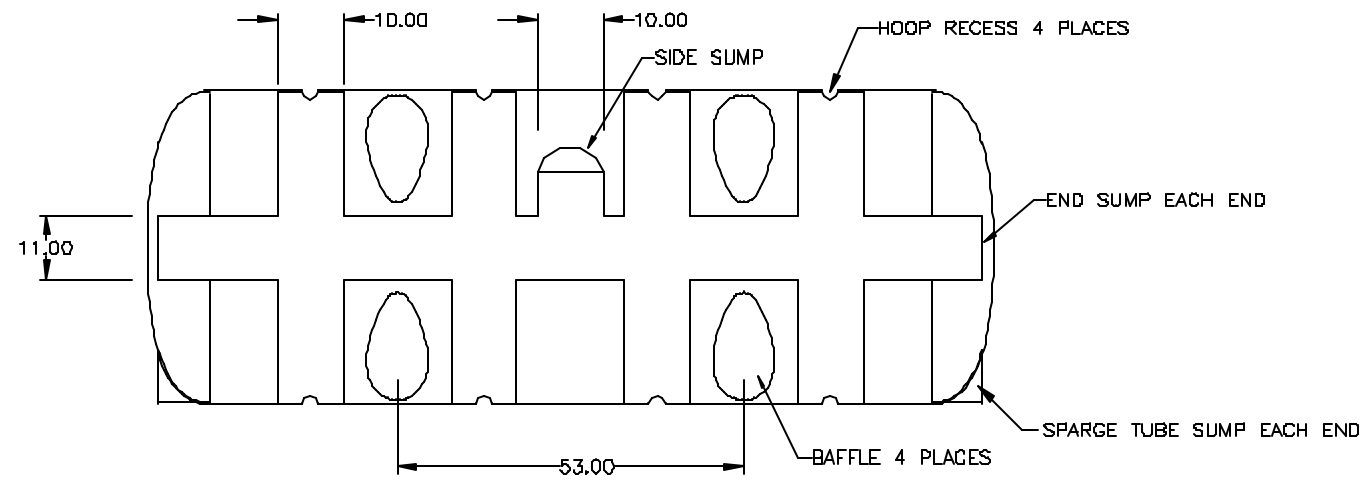
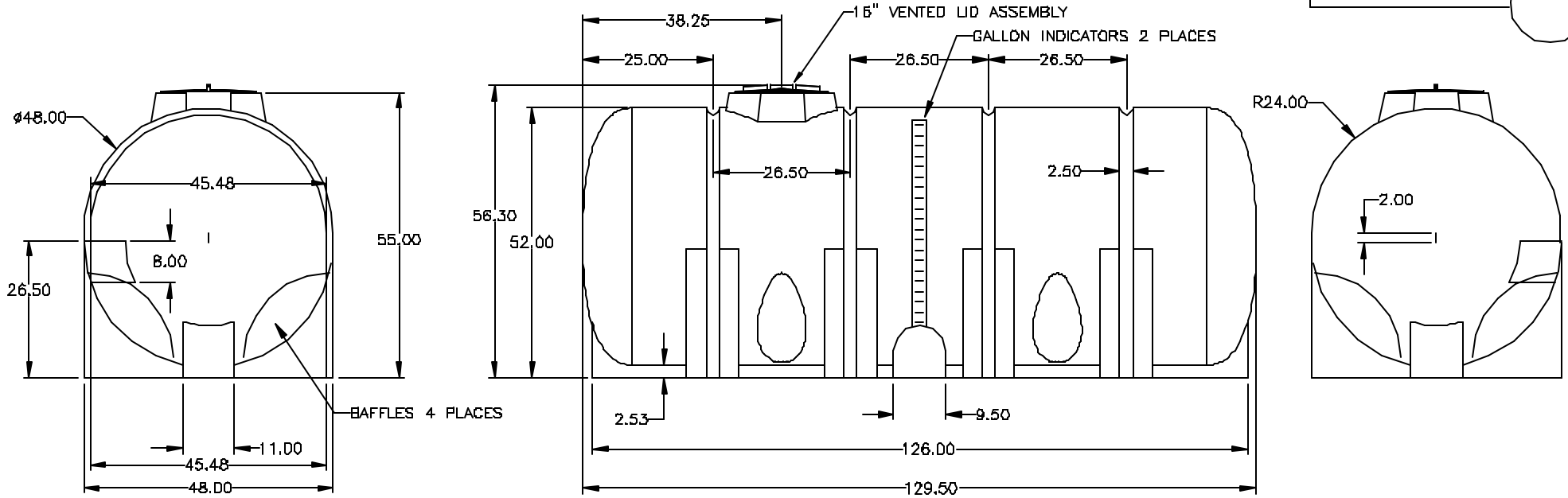


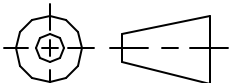
FS1005-48



NOTE: 4 HOOPS ARE REQUIRED ON THIS TANK

PROPRIETARY DATA

PROPERTY OF ACE ROTO-MOLD MFG., INC. INFORMATION FURNISHED HEREIN IS THE PROPERTY OF ACE ROTO-MOLD MFG., INC. AND SHALL NOT BE USED, DISCLOSED TO OTHERS, OR COPIED WITHOUT THE EXPRESSED WRITTEN CONSENT OF ACE ROTO-MOLD MFG., INC. ALL RIGHTS RESERVED.

				DRAWN / DATE REH/12/23/99		MATERIAL: 340 LB. HDPE		ACE ROTO-MOLD A DIVISION OF DEN HARTOG INDUSTRIES, INC. 4010 HWY. 60 BLVD., BOX 425 HOSPERS, IOWA 5123B			
				APPRD. / DATE REH/12/23/99							
REV	DESCRIPTION	DATE	APPRD.			CLIENT / DESCRIPTION 1005 GALLON HORIZONTAL TANK					
ALL DIMENSIONS ARE IN DECIMAL INCHES TOLERANCES UNLESS OTHERWISE SPECIFIED $\pm 1\% \text{ @ } 68^\circ \text{ F}$				THIRD ANGLE PROJECTION ANSI 14.3M 		NOTES: 1. AVAILABLE IN NATURAL OR YELLOW COLOR. 2. NOM. WALL -.350		SCALE N.S.		PART NO. FS1005-48	