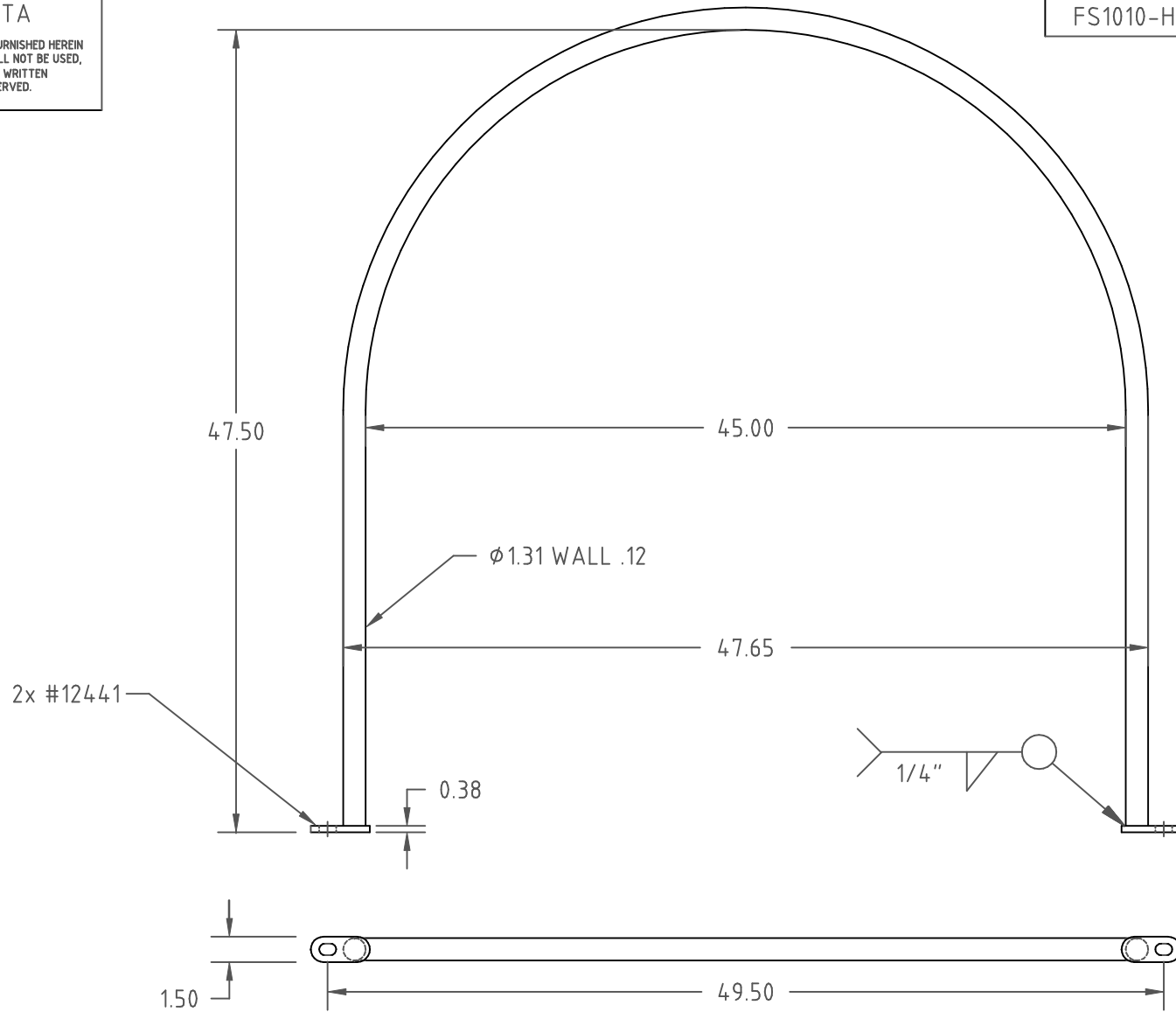

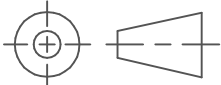


PROPRIETARY DATA

PROPERTY OF DEN HARTOG INDUSTRIES, INC. INFORMATION FURNISHED HEREIN IS THE PROPERTY OF DEN HARTOG INDUSTRIES, INC. AND SHALL NOT BE USED, DISCLOSED TO OTHERS, OR COPIED WITHOUT THE EXPRESSED WRITTEN CONSENT OF DEN HARTOG INDUSTRIES, INC. ALL RIGHTS RESERVED.

FS1010-HPS



C	WEIGHT WAS 17.5 LB	CCN1749	11/13/08	REH	DRAWN / DATE	MATERIAL	 <b>ACE ROTO-MOLD</b> A DIVISION OF DEN HARTOG INDUSTRIES, INC. 4010 HOSPERS DRIVE S., BOX 425, HOSPERS, IA 51238	
B	TOLERANCE WAS 1% @ 68° F		3/16/07	GWC	DHJ/1/29/03	14.0 LBS. (C)		
A	REVISED FOOT	3/6/07			APPRD. / DATE	BLACK LENGTH: 122"		
REV	DESCRIPTION		DATE	APPRD	ADH/11/9/07		CLIENT / DESCRIPTION	
ALL DIMENSIONS ARE IN DECIMAL INCHES TOLERANCES UNLESS OTHERWISE SPECIFIED DECIMAL +/- .125" FRACTION +/- 1/4" ANGLE +/- 2°					THIRD ANGLE PROJECTION ANSI 14.5M 		NOTES: 1. 4 REQUIRED 2. BLACK COLOR POWDER COATED	HOOP FOR 1010 GALLON LEG TANK
						SCALE	PART NO.	
						NONE	FS1010-HPS	