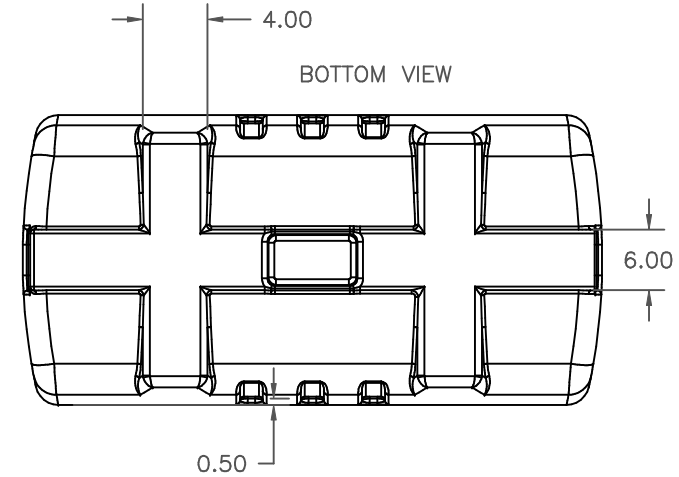
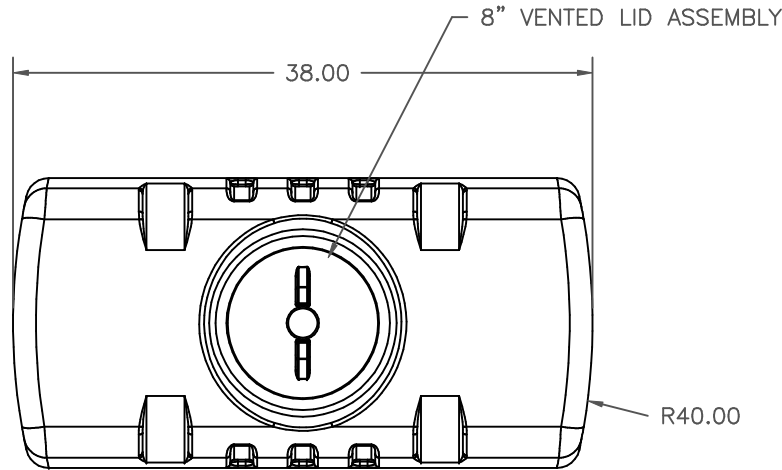


PROPRIETARY DATA

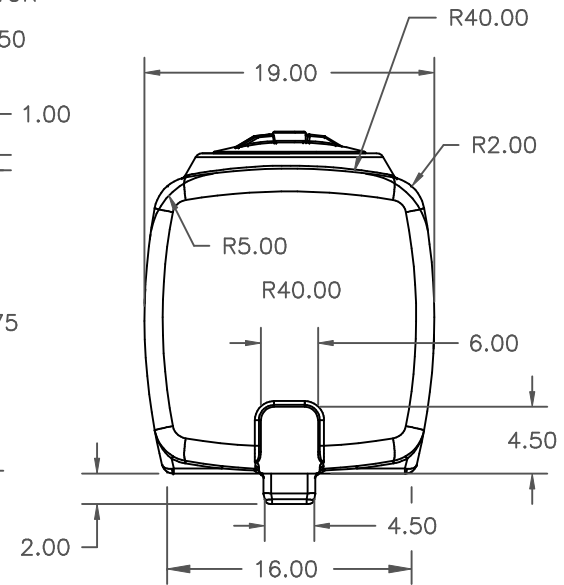
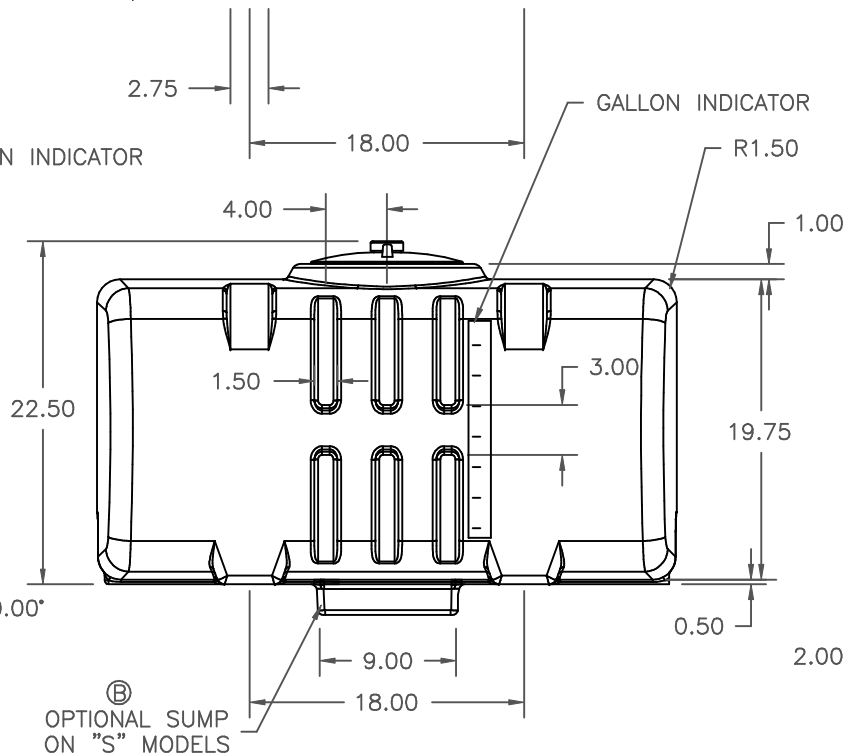
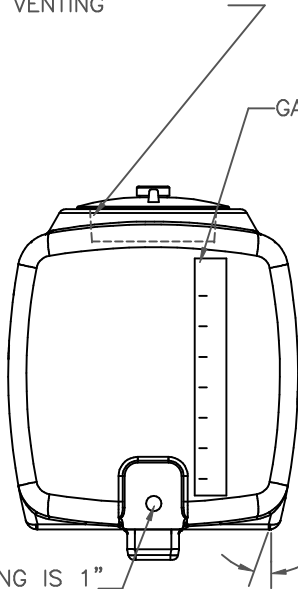
PROPERTY OF ACE ROTO-MOLD MFG., INC. INFORMATION FURNISHED HEREIN IS THE PROPERTY OF ACE ROTO-MOLD MFG., INC. AND SHALL NOT BE USED, DISCLOSED TO OTHERS, OR COPIED WITHOUT THE EXPRESSED WRITTEN CONSENT OF ACE ROTO-MOLD MFG., INC. ALL RIGHTS RESERVED.

PC0050-19

B



DRILL 1 X .50 HOLE FOR VENTING



STANDARD FITTING IS 1" STANDARD LOCATION END

TANK WITH SUMP STANDARD LOCATION IS IN SUMP

OPTIONAL SUMP ON "S" MODELS

DRAWN / DATE				MATERIAL	
B	"S" MODEL WAS "M" CCN 1533	ADH 11/29/07	REH / 5/8/02	25 LB. MOBIL 134	
APPRD. / DATE				NOTES:	
A	CLARIFY FITTING LOCATIONS	2/17/06	DHJ / 5/8/02		
REV	DESCRIPTION	DATE	APPRD.	THIRD ANGLE PROJECTION ANSI 14.5M 	
ALL DIMENSIONS ARE IN DECIMAL INCHES TOLERANCES UNLESS OTHERWISE SPECIFIED ± .5% @ 68° F					

ACE ROTO-MOLD A DIVISION OF DEN HARTOG INDUSTRIES, INC. 4010 HOSPERS DRIVE SOUTH, BOX 425, HOSPERS, IOWA 51238	
CLIENT / DESCRIPTION	
50 GALLON PCO TANK	
SCALE	PART NO.
N.S.	PC0050-19S (SUMP) PC0050-19W (NO SUMP)