

PROPRIETARY DATA

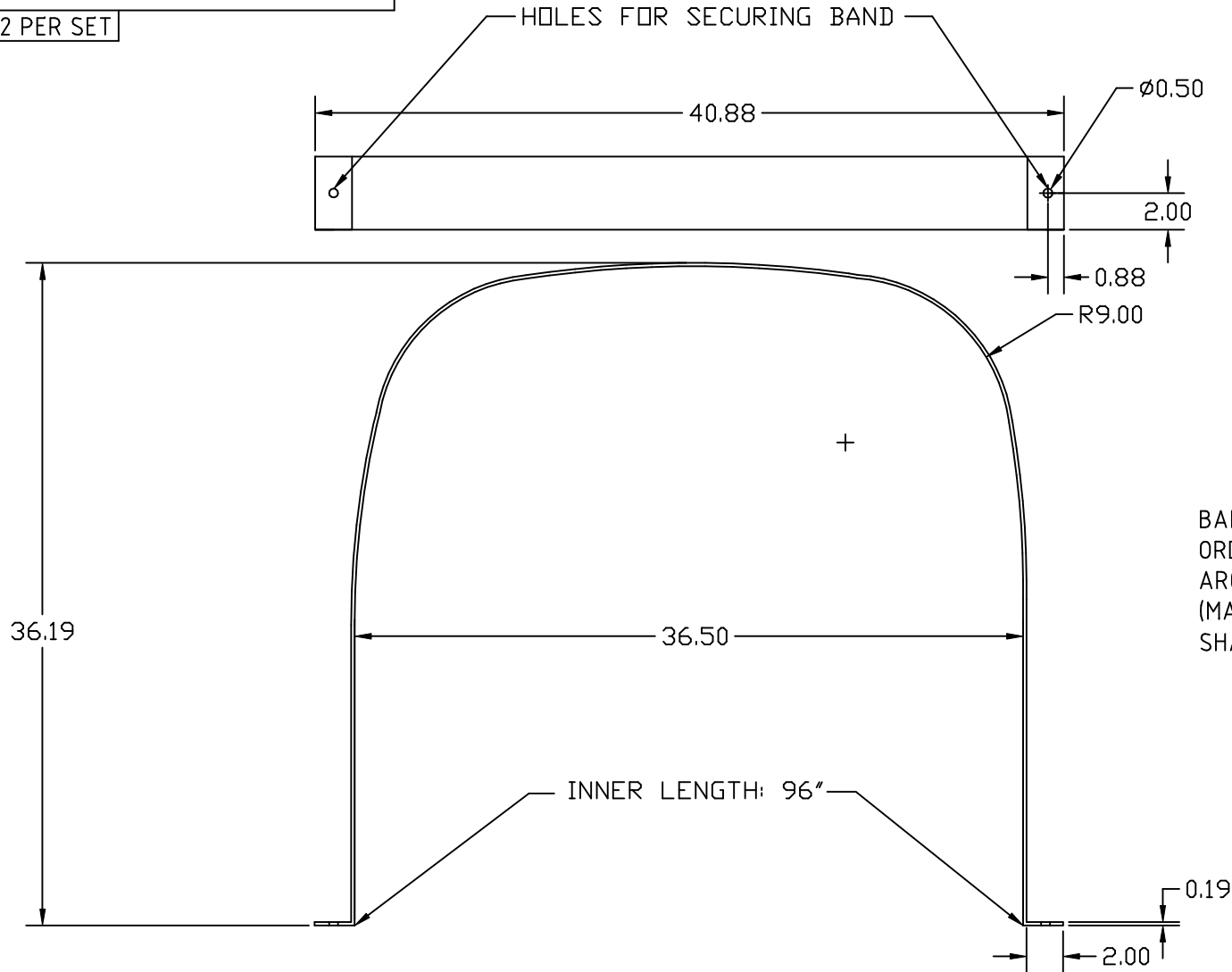
PROPERTY OF ACE ROTO-MOLD MFG., INC. INFORMATION FURNISHED HEREIN IS THE PROPERTY OF ACE ROTO-MOLD MFG., INC. AND SHALL NOT BE USED, DISCLOSED TO OTHERS, OR COPIED WITHOUT THE EXPRESSED WRITTEN CONSENT OF ACE ROTO-MOLD MFG., INC. ALL RIGHTS RESERVED.

PC0300-SBPS

B

PC0300-SBP 2 PER SET

ⓑ



BANDS ARE PREBENT IN ORDER TO FIT SNUGLY AROUND TANK (MAY NOT APPEAR IN U SHAPE AS SHOWN HERE)

				DRAWN / DATE NVE 6/27/05	MATERIAL 3/16 MILD STEEL REFERENCE MATERIAL DATA SHEET FOR SPECIFIC PROPERTIES.
B	ADD TEXT BOX/ADD S TO PART #	4/3/07	GWC	APPRD. / DATE DHJ 9/21/05	NOTES: 1. NOM. WALL @ 3/16 2. SILVER COLOR 3. SHOT WEIGHT 20 LBS.
A	TOLERANCE WAS 1% @ 68° F	3/13/07	GWC		
REV	DESCRIPTION	DATE	APPRD		
ALL DIMENSIONS ARE IN DECIMAL INCHES TOLERANCES UNLESS OTHERWISE SPECIFIED DECIMAL +/- .064" FRACTION +/- 1/8" ANGLE +/- 1°				THIRD ANGLE PROJECTION ANSI 14.5M 	

Ace Roto-Mold
 A DIVISION OF DEN HARTOG INDUSTRIES, INC.
 4018 HWY. 60 BLVD., BOX 421, HOSPERS, IOWA 51238

CLIENT / DESCRIPTION: 300 GALLON POWDER COATED STEEL BAND FOR PCO TANKS

SCALE: N.S. PART NO.: PC0300-SBPS