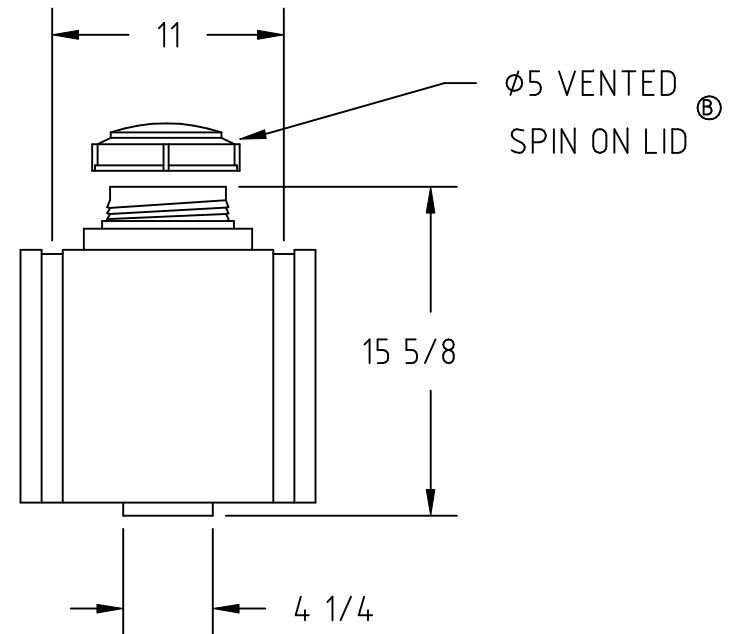
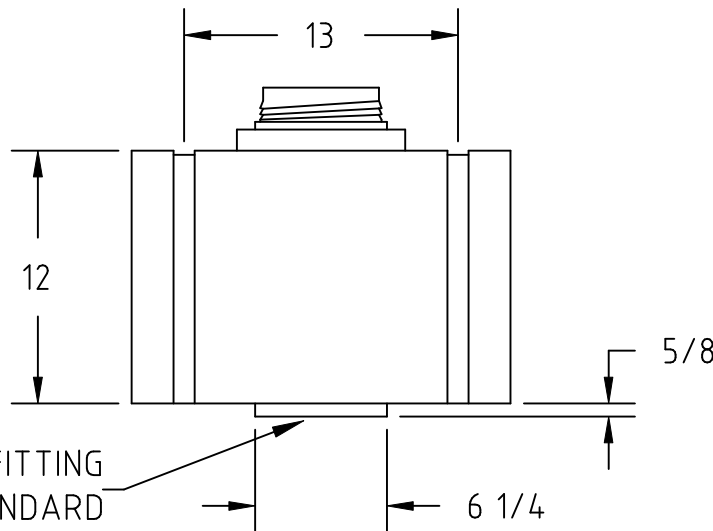
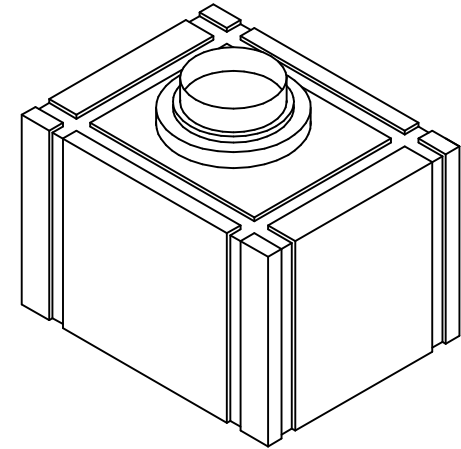
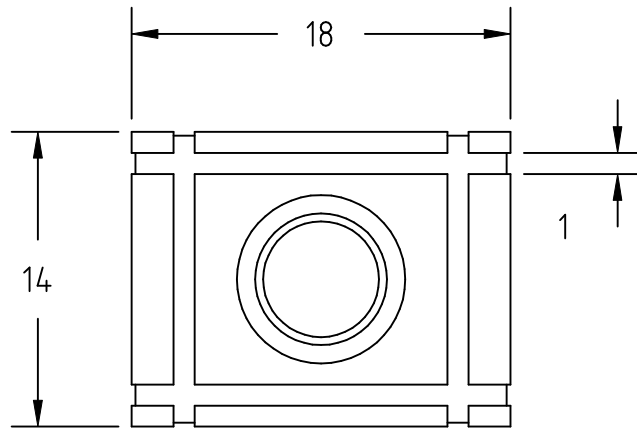


© DEN HARTOG INDUSTRIES, INC.

Copyright. All information furnished within this document, electronic file or design correspondence is the property of Den Hartog Industries, Inc. and shall not be used, disclosed to others or copied without the expressed written consent of Den Hartog Industries, Inc.

DWG NO. SP0012-RT SH REV B



B	TOLERANCE, WEIGHT, ADDRESS, LID SIZE UPDATED CCN 1852	5/5/09 ADH	DRAWN DEAN	DATE 2-17-94	MATERIAL HIGH DENSITY POLYETHYLENE
A	ADDED FITTING 12/8/04		APPROVED ADH	DATE 11-15-07	
REV	DESCRIPTION	DATE	APVD		
SCALE NONE			THIRD ANGLE PROJECTION		PART WEIGHT
UOS DIMENSIONS ARE IN INCHES GENERAL TOLERANCES ±1% @ 68°F					9 LBS. ®

ACE ROTO-MOLD 4010 HOSPERS DRIVE S. BOX 425, HOSPERS, IOWA 51238-0421	
PART NO.	SP0012-RT
SIZE A	DWG NO. SP0012-RT
	REV B