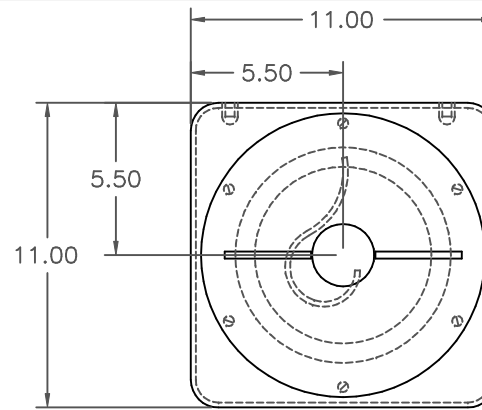


© DEN HARTOG INDUSTRIES, INC.

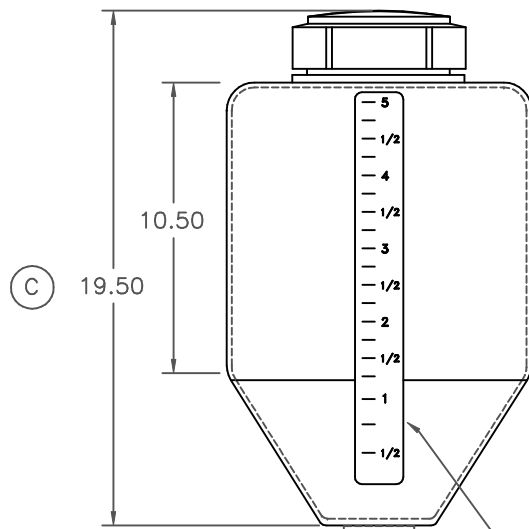
Copyright. All information furnished within this document, electronic file or design correspondence is the property of Den Hartog Industries, Inc. and shall not be used, disclosed to others or copied without the expressed written consent of Den Hartog Industries, Inc.

SP0005-SQ8
SP0005-SQ5

D



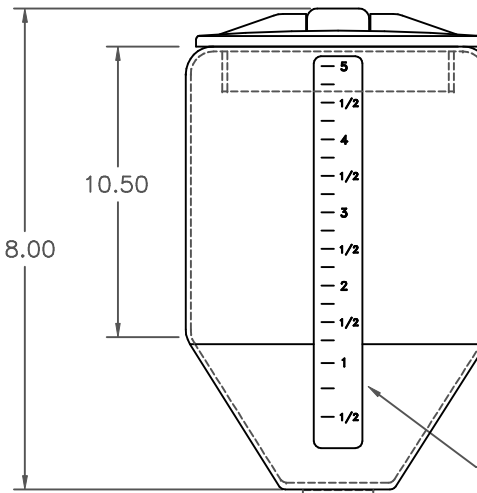
5/16-18 NC INSERT X 6
OPPOSITE GAL. INDICATORS



① 1-1/4" SPINWELD
IS STANDARD FITTING

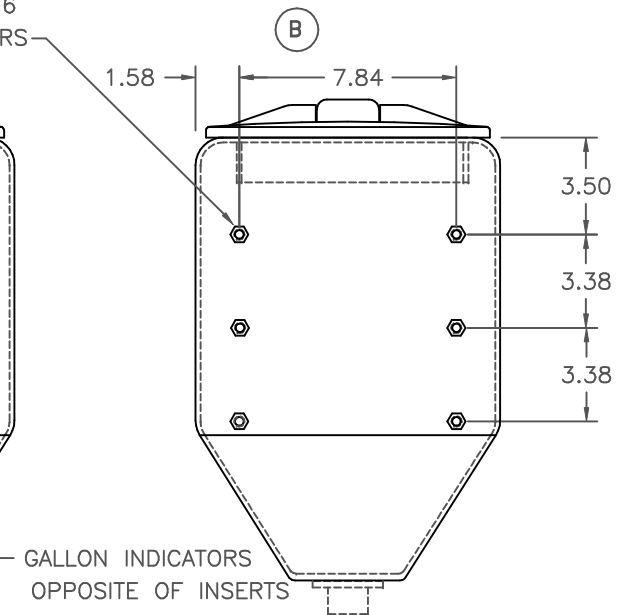
GALLON
INDICATORS

(SP0005-SQ5: 5" SCREW-ON LID OPTION)



② 4.00 ← SQ.

(SP0005-SQ8: 8" SCREW-ON LID OPTION)



GALLON INDICATORS
OPPOSITE OF INSERTS

D	SPINWELD SPELLING CORRECTED	CCN1815	3/2/09	ADH
C	WEIGHTS/DIMENSIONS/VEIWS UPDATED	CCN1688	7/8/08	ADH
B	WAS 1.76 / 7.81	6/26/07	DHJ	
B	UPDATE TITLE BLOCK	6/26/07		
A	4.00 WAS 3.00	9/13/02		
REV	DESCRIPTION	DATE	APPRD.	

DRAWN /DATE	REH/1/16/97
APPRD. /DATE	REH/1/16/97

MATERIAL
POLYETHYLENE ©
SHOT WEIGHT: 5 LBS
SHIPPING WEIGHT: 5 INCH LID-5.5 LBS.
SHIPPING WEIGHT: 8 INCH LID-6 LBS.



Ace Roto-Mold

A DIVISION OF DEN HARTOG INDUSTRIES, INC.
4010 HOSPERS DRIVE SOUTH, BOX 425, HOSPERS, IOWA 51238

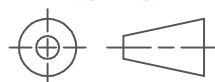
CLIENT / DESCRIPTION

ACE 5 GAL. MINI-INDUCTOR TANK

ALL DIMENSIONS ARE IN DECIMAL INCHES
TOLERANCES UNLESS OTHERWISE SPECIFIED

± 1 % @ 68°F

THIRD ANGLE PROJECTION
ANSI 14.5M



NOTES:
1. 2.7% SHRINK ALLOWANCE
2. SHIP PART W/CAP INSTALLED

SCALE
NONE

PART NO. SP0005-SQ8
SP0005-SQ5