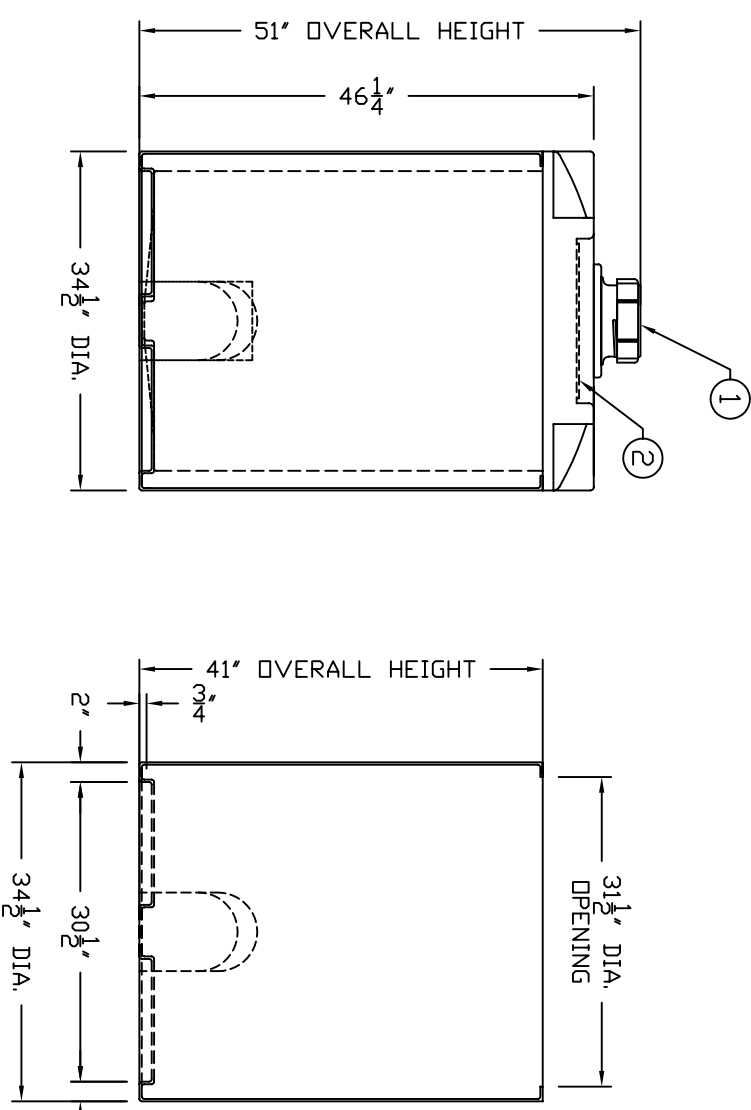


ACCESSORIES					
MK	SIZE	DESCRIPTION	DEG	ELEV	DOME

- NOTES:
- 1 7" ACCESS W/ THREADED LID
 - 2 MOLDED IN PUMP SHELF
 - 3 PRIMARY CALCULATED GALLONS PER INCH: 3.06 GPI
 - 4 SECONDARY CALCULATED GALLONS PER INCH: 3.93 GPI



REV	REVISION DESCRIPTION	REV DATE
C	TURNED THE TANK 180° SO THE ACCESS IS AT 0°	06/12/08 MG
B	ADDED FITTING FLAT TO LOW SIDEWALL	2/6/04dcm
A	CORRECTED SHELF SIZE / CORRECTED RAISE PORTION AROUND LID	1/29/04 SR

		300 N TAYLOR ROAD GARRETT, IN 46738 PHONE: (260) 357-3181 FAX: (260) 357-3728	
PRIMARY VESSEL RESIN USED: POLYETHYLENE	SP.G. MAX - LBS.	SECONDARY VESSEL RESIN USED: POLYETHYLENE	SP.G. MAX - LBS.
TITLE: IMT 120 GAL. DOUBLE WALL STORAGE TANK	DRAWN BY: J. MYERS DWG NUMBER: IMT 120 C	APPROVAL:	REV DATE: 10/22/03

ALL DIMENSIONS ARE IN INCHES AND ARE ±3%