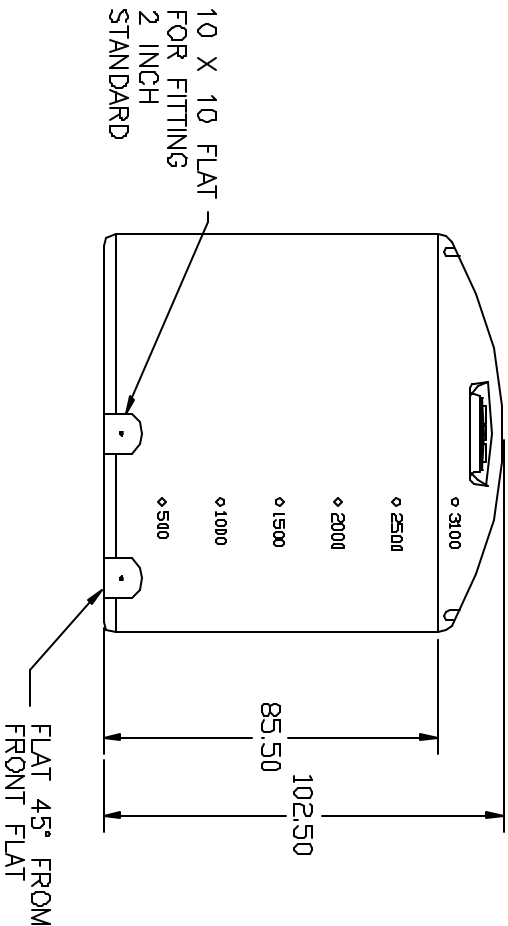
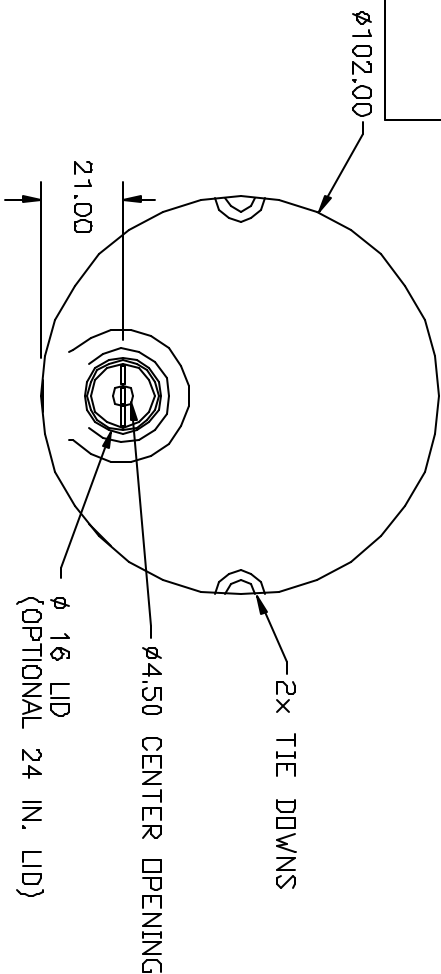



PROPRIETARY DATA

PROPERTY OF ACE ROTO-MOLD INC. INFORMATION FURNISHED HEREON IS THE PROPERTY OF ACE ROTO-MOLD INC. AND SHALL NOT BE USED, DISCLOSED TO OTHERS, OR COPIED WITHOUT THE EXPRESSED WRITTEN CONSENT OF ACE ROTO-MOLD INC. ALL RIGHTS RESERVED.

VT3100-102



DRAWN / DATE DHJ/1/16/03		MATERIAL / SHOT WEIGHT 550 LBS.		 <b>Ace Roto-Mold</b> A DIVISION OF DEN HARTOG INDUSTRIES, INC.	
APPRD. / DATE		NOTES:			
THIRD ANGLE PROJECTION ANSI 14.5M		CLIENT / DESCRIPTION 3100 GALLON VERTICAL TANK		SCALE NONE	PART NO. VT3100-102
ALL DIMENSIONS ARE IN DECIMAL INCHES TOLERANCES UNLESS OTHERWISE SPECIFIED $\pm 1\%$ @ 68°F		REV. DESCRIPTION DATE APPRD.			