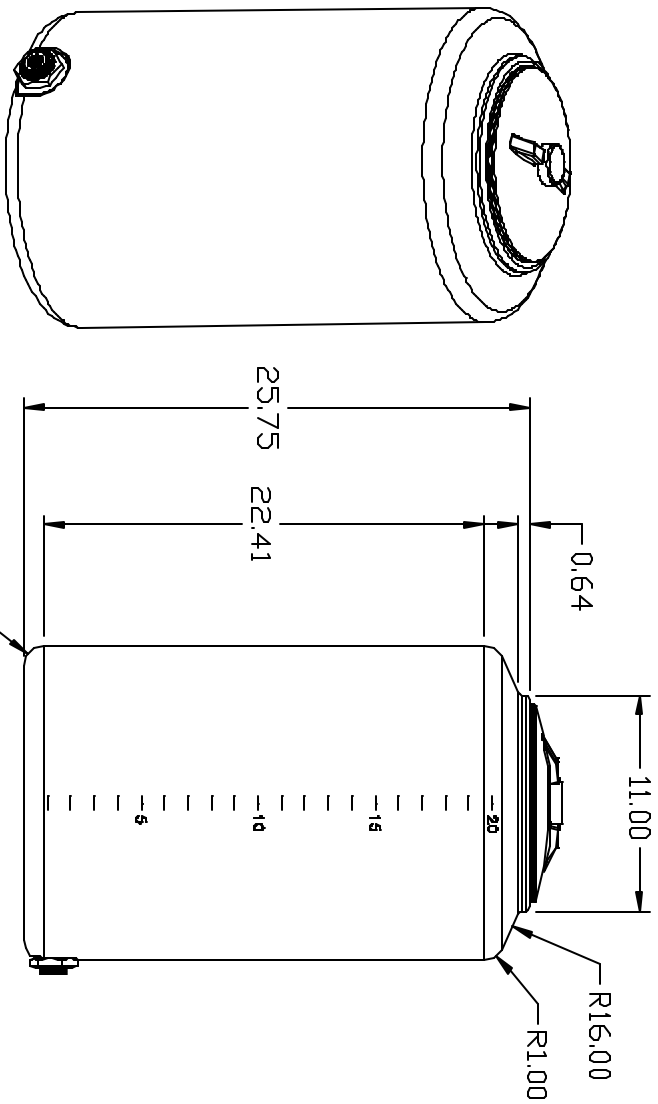
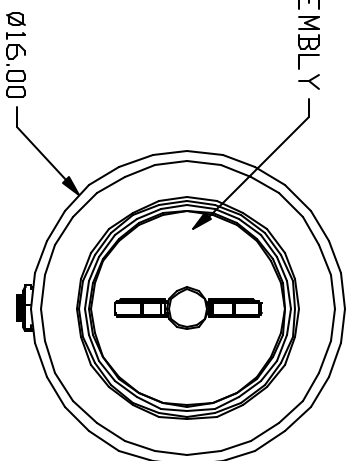


**PROPRIETARY DATA**

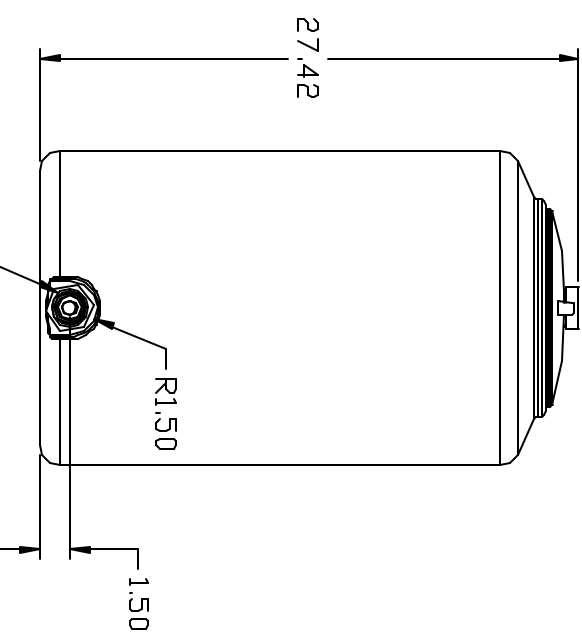
PROPERTY OF ACE ROTO-MOLD MFG., INC. INFORMATION FURNISHED HEREIN IS THE PROPERTY OF ACE ROTO-MOLD MFG., INC. AND SHALL NOT BE USED, DISCLOSED TO OTHERS, OR COPIED WITHOUT THE EXPRESSED WRITTEN CONSENT OF ACE ROTO-MOLD MFG., INC. ALL RIGHTS RESERVED.

VT0020-16

8" VENTED LID ASSEMBLY



3/4" FITTING IS STANDARD



REV	DESCRIPTION	DATE	APPRD

DRAWN / DATE	REH / 10/16/01
APPRD. / DATE <td>REH / 10/28/01</td>	REH / 10/28/01

MATERIAL	10.75 LB. MOBIL 154
<b>DEN HARTOG INDUSTRIES INC.</b> 4018 HWY. 60 BLVD. BOX 421, HOSPERS, IOWA 51238	
CLIENT / DESCRIPTION 20 GALLON VERTICAL TANK	

THIRD ANGLE PROJECTION

NOTES:
1. NATURAL COLOR
2. NOM. WALL .188

SCALE	N.S.	PART NO.	VT0020-16
-------	------	----------	-----------

ALL DIMENSIONS ARE IN DECIMAL INCHES  
TOLERANCES UNLESS OTHERWISE SPECIFIED  
+ .5% @ 68° F