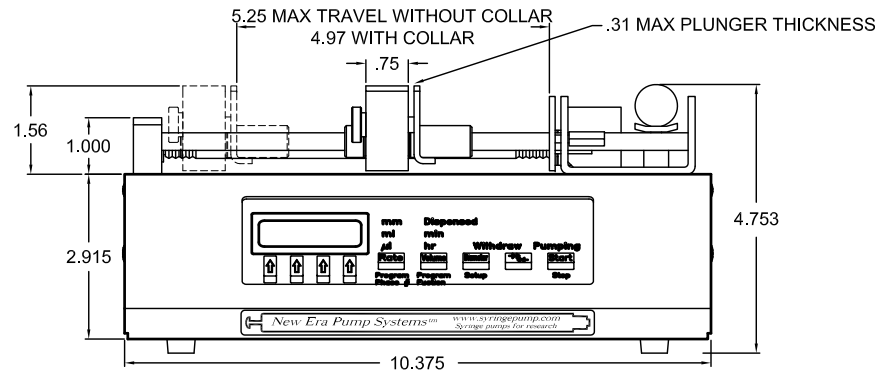


FEET MOUNT INTO #6-32 THREADED HOLES - 4 PLACES



New Era Pump Systems, Inc. 631-249-1392
 www.SyringePump.com info@syringepump.com

Title **Twelve Syringe Pump** max 3ml Syringes

Date 4/28/20 Rev. A 4/28/20 Pump Overall Dimensions

Part No. **Model NE-1200**