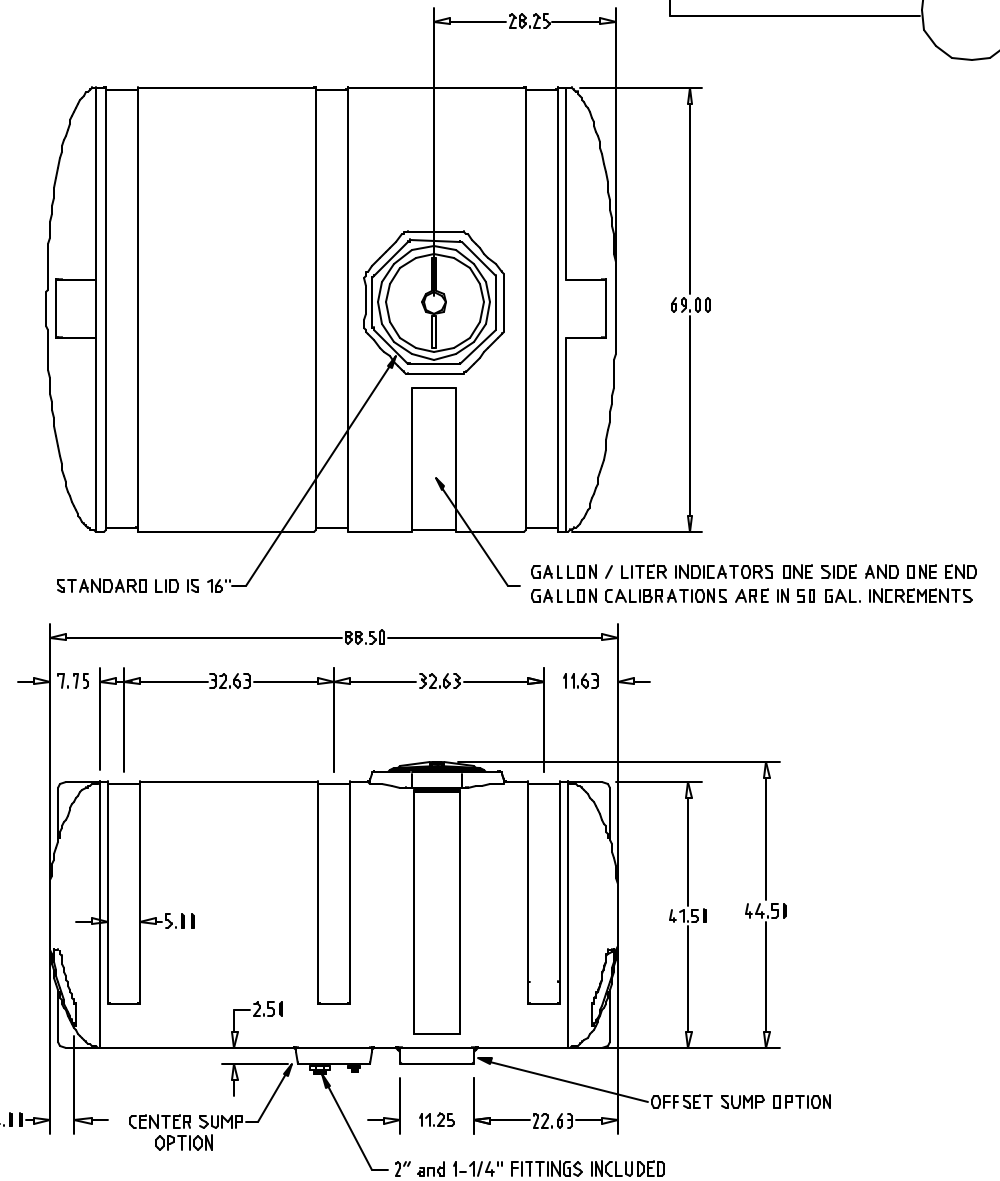
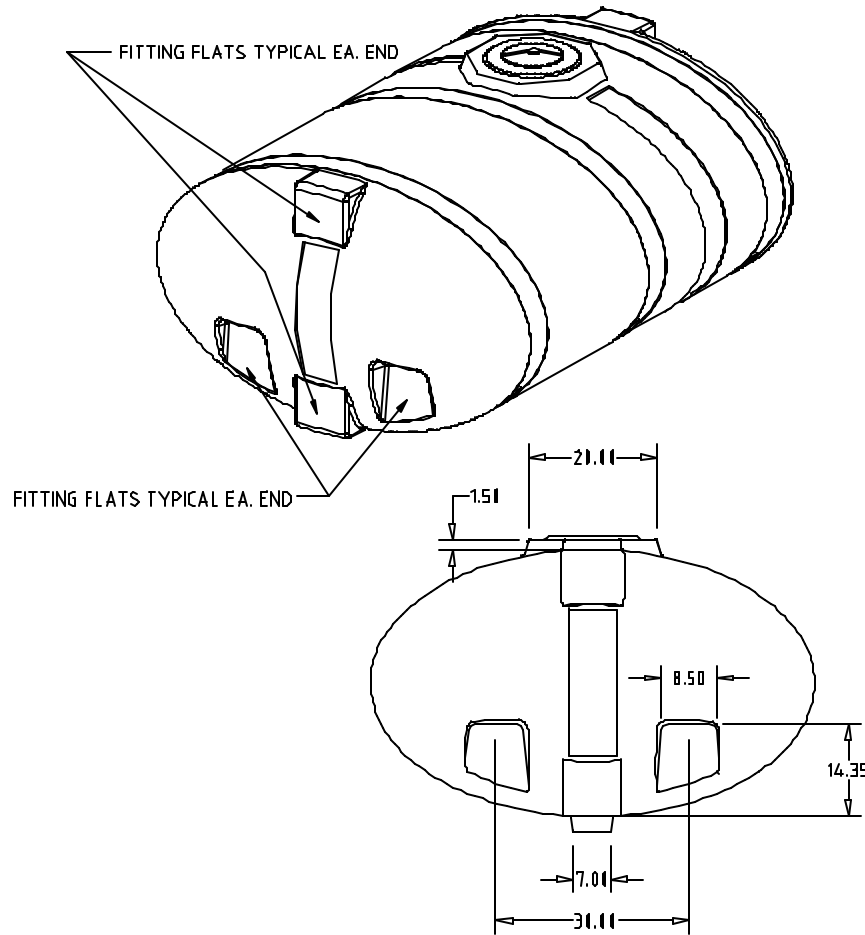


# PROPRIETARY DATA

PROPERTY OF ACE ROTO-MOLD MFG., INC. INFORMATION FURNISHED HEREIN IS THE PROPERTY OF ACE ROTO-MOLD MFG., INC. AND SHALL NOT BE USED, DISCLOSED TO OTHERS, OR COPIED WITHOUT THE EXPRESSED WRITTEN CONSENT OF ACE ROTO-MOLD MFG., INC. ALL RIGHTS RESERVED.

HE0750-69



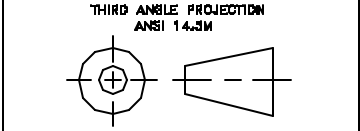
REV	DESCRIPTION	DATE	APPRD

DRAWN / DATE	REH/2/14/02
APPRD. / DATE	REH/2/14/02

MATERIAL / SHOT WEIGHT			
M111	M134	U625	P938
	220		

**Ace Roto-Mold**  
A DIVISION OF DEN HARTOG INDUSTRIE, INC.

ALL DIMENSIONS ARE IN DECIMAL INCHES  
TOLERANCES UNLESS OTHERWISE SPECIFIED  
± .5% @ 68° F



NOTES:  
1. .330 NOMINAL WALL  
2. BLACK, GREY, WHITE,  
OR YELLOW COLOR

CLIENT / DESCRIPTION	
ACE 750 GALLON ELLIPTICAL TANK	
SCALE	PART NO.
N.S.	HE0750-69