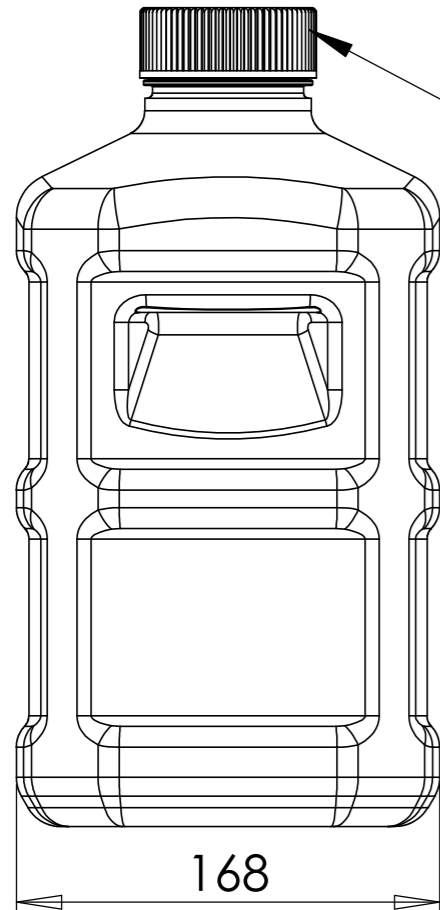
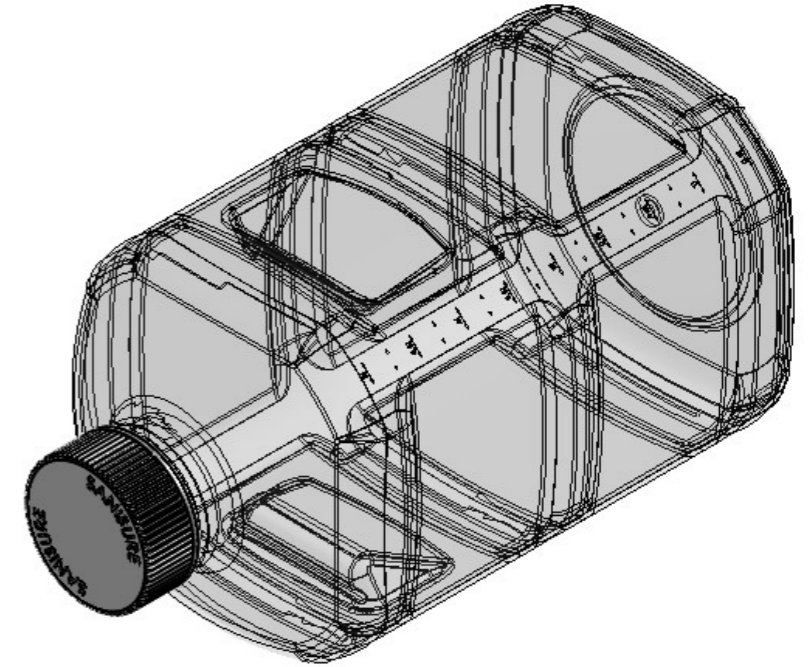
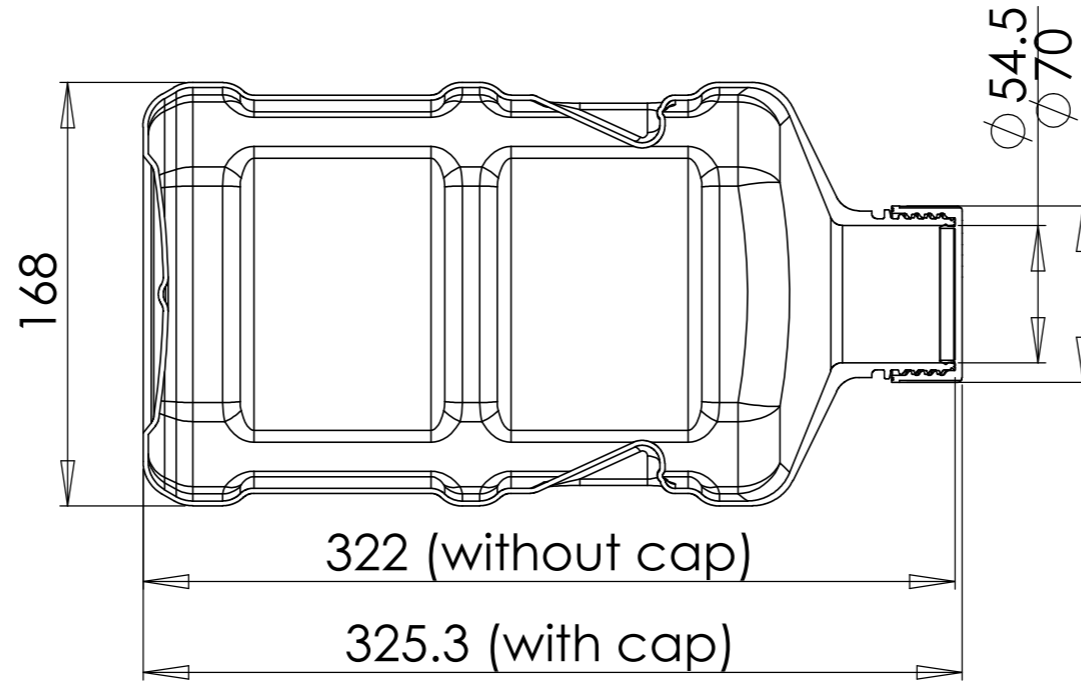
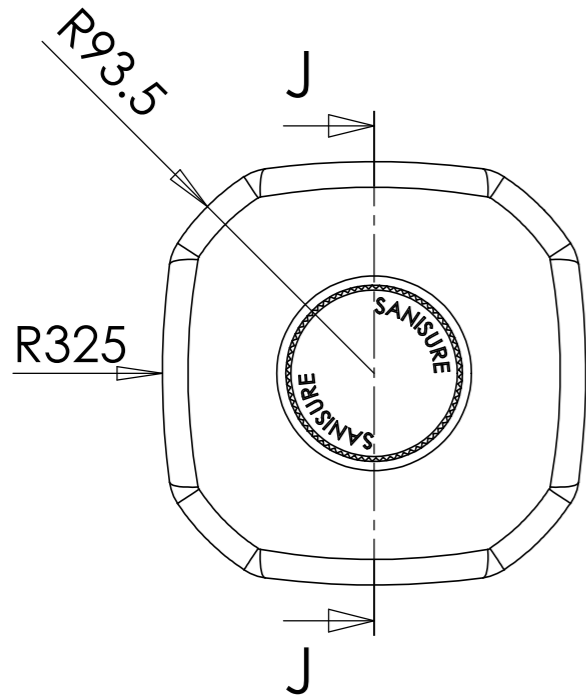


# SECTION J-J



Item:  
3070C1 / 3070C2

Item: 105000 / 205000 / 505000

Item	Polymer
505000	Polyethylene terephthalate Glycol ( <b>PETG</b> )
205000	Polycarbonate ( <b>PC</b> )
105000	Polyethylene terephthalate ( <b>PET</b> )
3070C1	HDPE cap for PET PharmaTainer
3070C2	HDPE cap for PC PharmaTainer

Application range		Perm	Tolerance	Surface	Scale	1:3	A3	Quantity	1
					Material : PET / PC / PETG				
v0	as created	21/02/14	MD	Init / date	Sign	Designation <b>PharmaTainer 5L</b>			
v1	update form	20/10/14	MD	Rel. QA	MDC/ 10 Feb 2026				
v2	New template + informations change about caps	26/06/23	NB	Check Mgt.	JM/ 11feb26				
v3	Add PETG material and SANISURE engraving	09/02/26	GM	Design	GM/ 10/02/26				
The information contained in this drawing is the sole property of <b>SANISURE S.A.</b> . Any reproduction in part or as a whole without the written permission of <b>SANISURE S.A.</b> is prohibited.					Solution Based Innovation		Drawing number <b>105000 / 205000 / 505000 - v3</b>		Sheet 1/1 1 Sh
Resp	Modification	Date	Name	Origin	Spare N°		Repl.by		