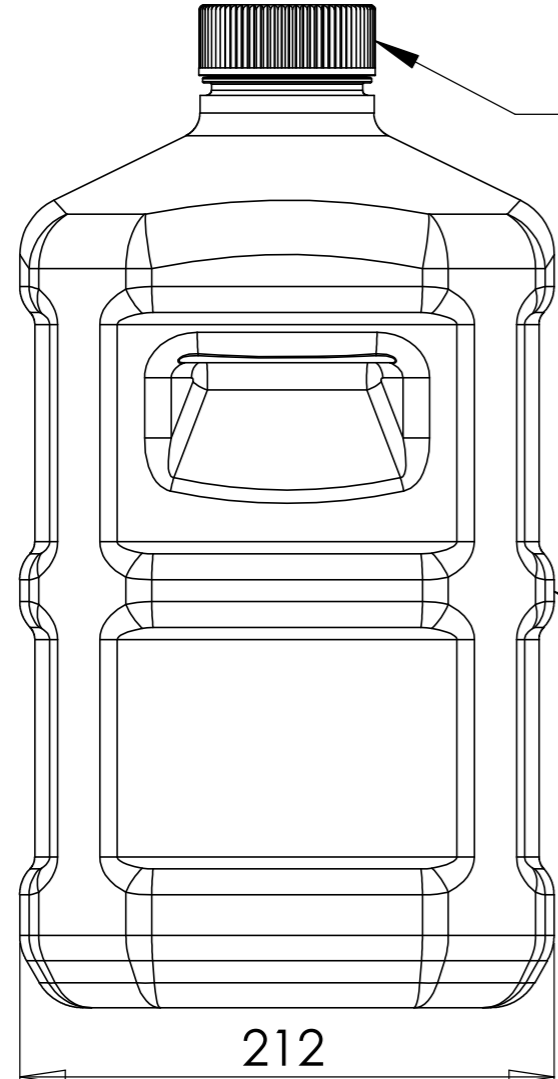
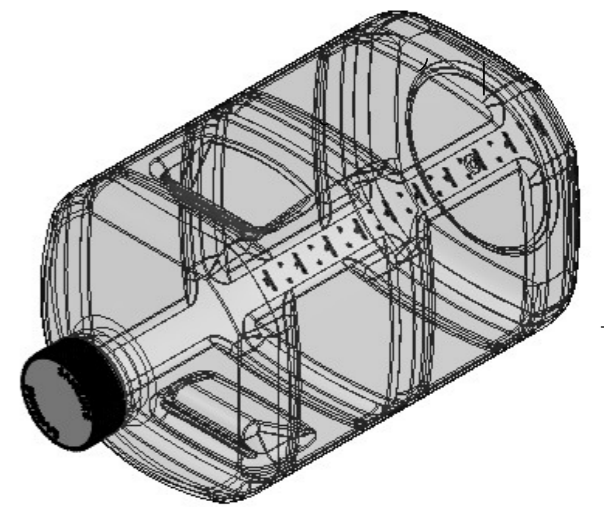
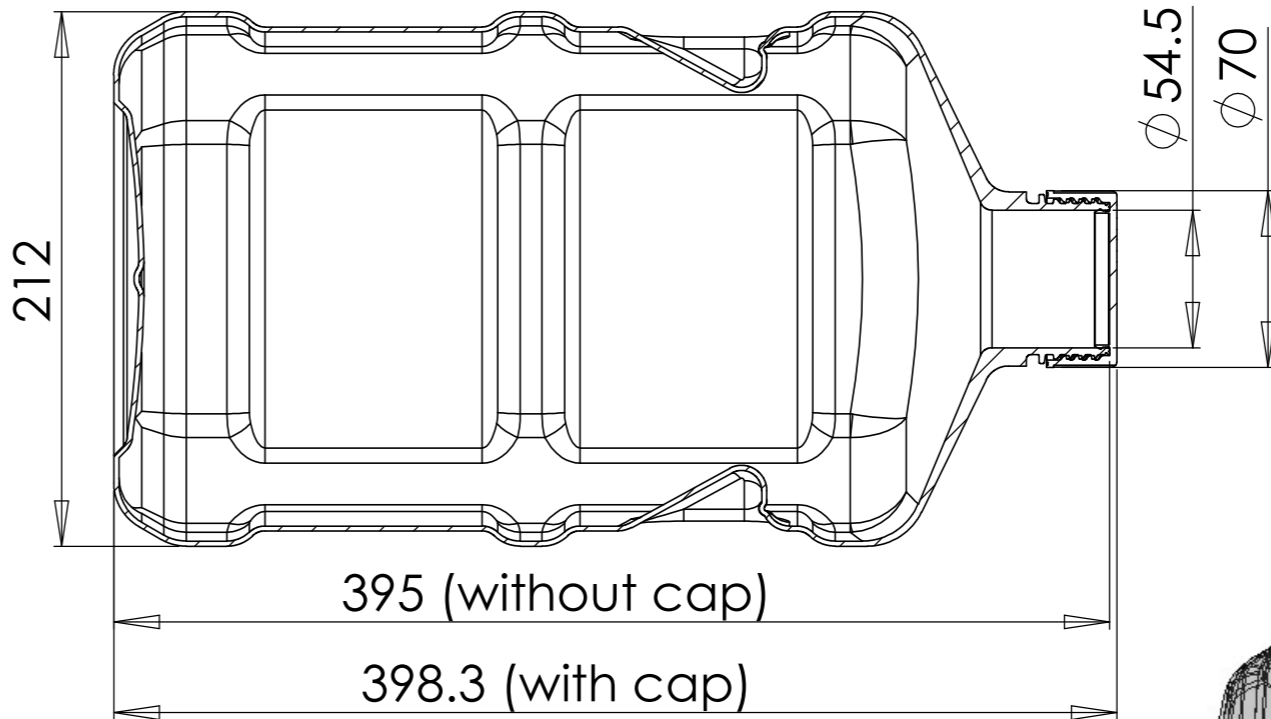
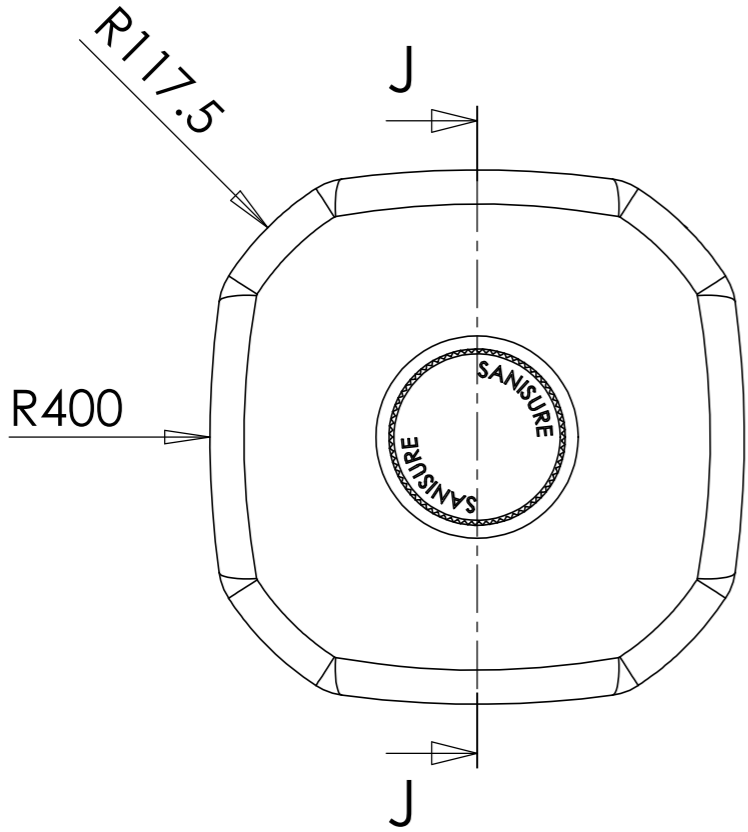


SECTION J-J



Item	Polymer
510000	Polyethylene terephthalate Glycol ( <b>PETG</b> )
210000	Polycarbonate ( <b>PC</b> )
110000	Polyethylene terephthalate ( <b>PET</b> )
3070C1	HDPE cap for PET PharmaTainer
3070C2	HDPE cap for PC PharmaTainer

Application range		Perm	Tolerance	Surface	Scale	1:3	A3	Quantity	1
					Material : PET / PC / PETG				
v0	as created	21/02/14	MD	Init / date	Sign	Designation <b>PharmaTainer 10L</b>			
v1	update form	20/10/14	MD	Rel. QA	MDC/10 Feb 2026				
v2	New template + informations change about caps	26/06/23	NB	Check Mgt.	JM/ 11feb26				
v3	Add PETG material and SANSURE engraving	09/02/26	GM	Design	GM/ 10/02/26				
The information contained in this drawing is the sole property of <b>SANSURE S.A.</b> . Any reproduction in part or as a whole without the written permission of <b>SANSURE S.A.</b> is prohibited.					Solution Based Innovation		Drawing number 110000 / 210000 / 510000 - v3		Sheet 1/1 1 Sh
Resp	Modification	Date	Name	Origin	Spare N°		Repl.by		