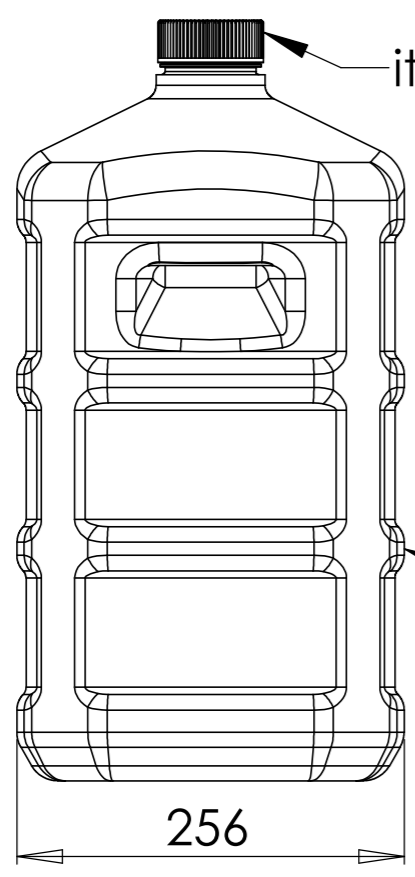
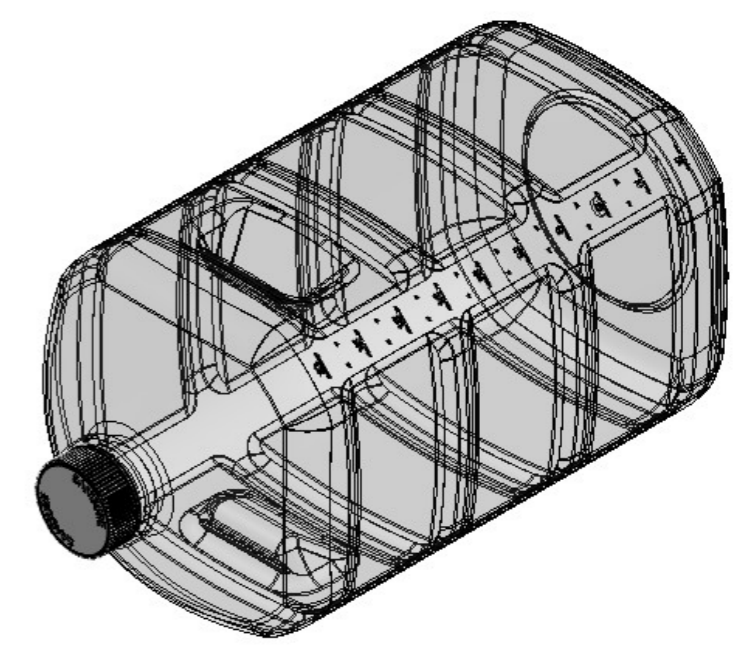
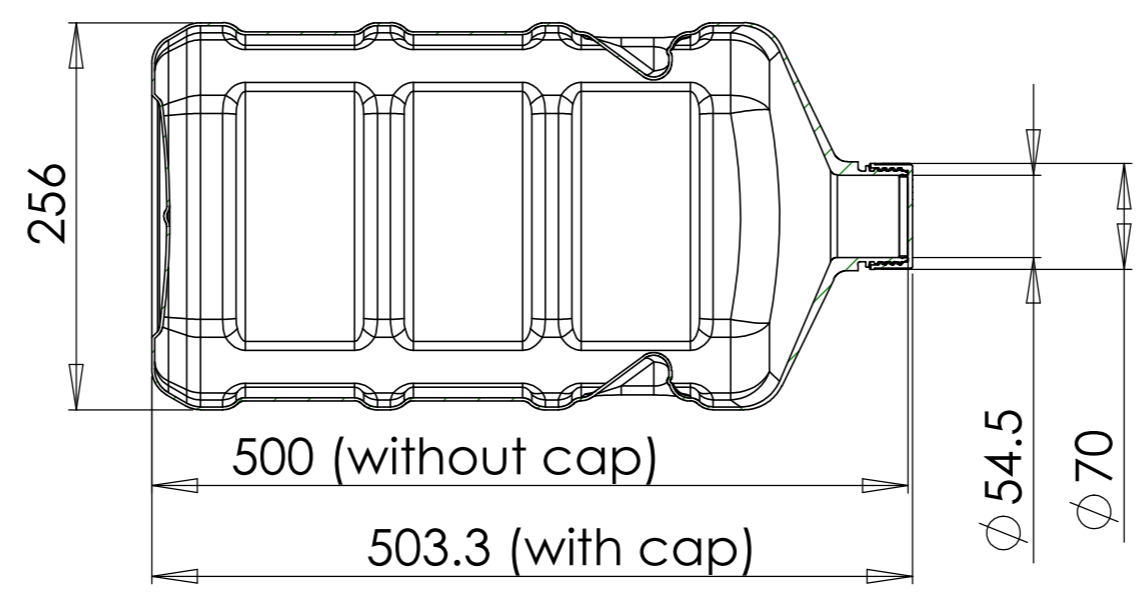
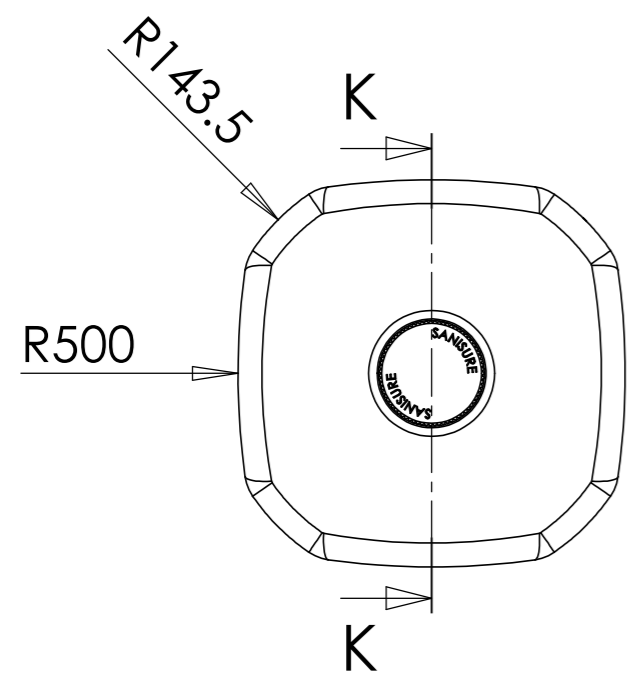


SECTION K-K



item: 3070C1 / 3070C2

item: 120000 / 220000 / 520000

Item	Polymer
520000	Polyethylene terephthalate Glycol (PETG)
220000	Polycarbonate (PC)
120000	Polyethylene terephthalate (PET)
3070C1	HDPE cap for PET PharmaTainer
3070C2	HDPE cap for PC PharmaTainer

Application range		Perm	Tolerance	Surface	Scale	1:5	A3	Quantity	1
					Material : PET / PC / PETG				
					Designation				
					PharmaTainer 20L				
					Drawing number				Sheet
					120000 / 220000 / 520000 - v3				1/1
					Spare N°				Repl.by
Resp	Modification	Date	Name	Origin					

The information contained in this drawing is the sole property of **SANISURE S.A.**. Any reproduction in part or as a whole without the written permission of **SANISURE S.A.** is prohibited

