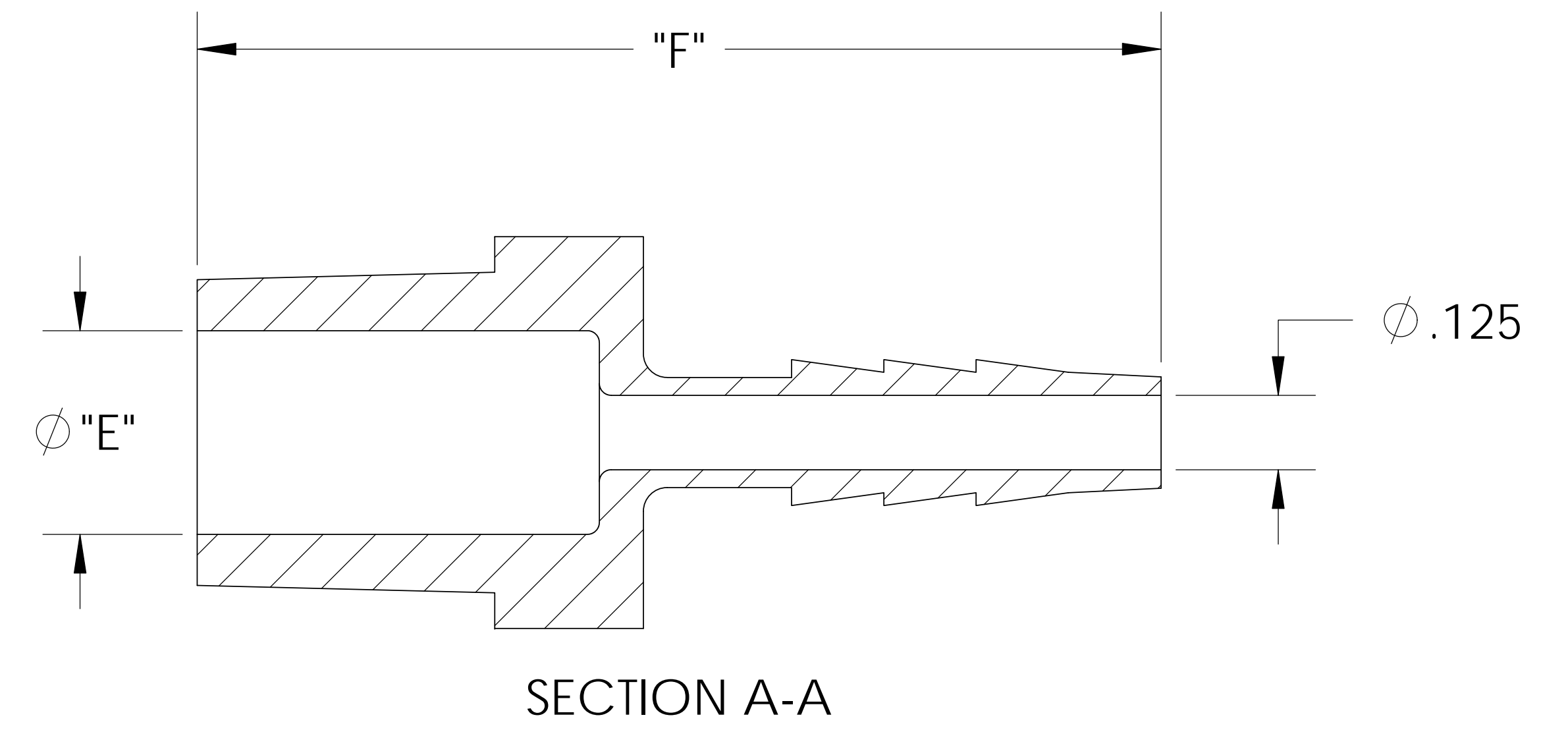
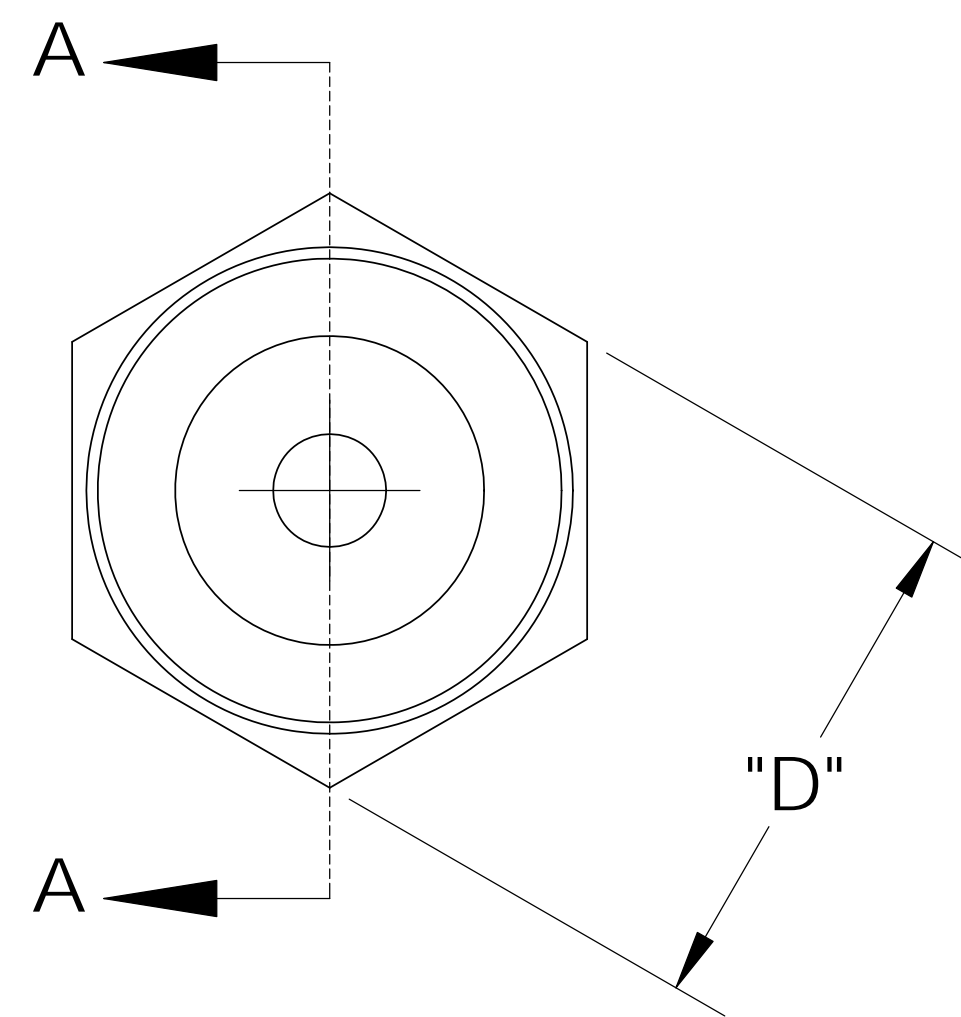
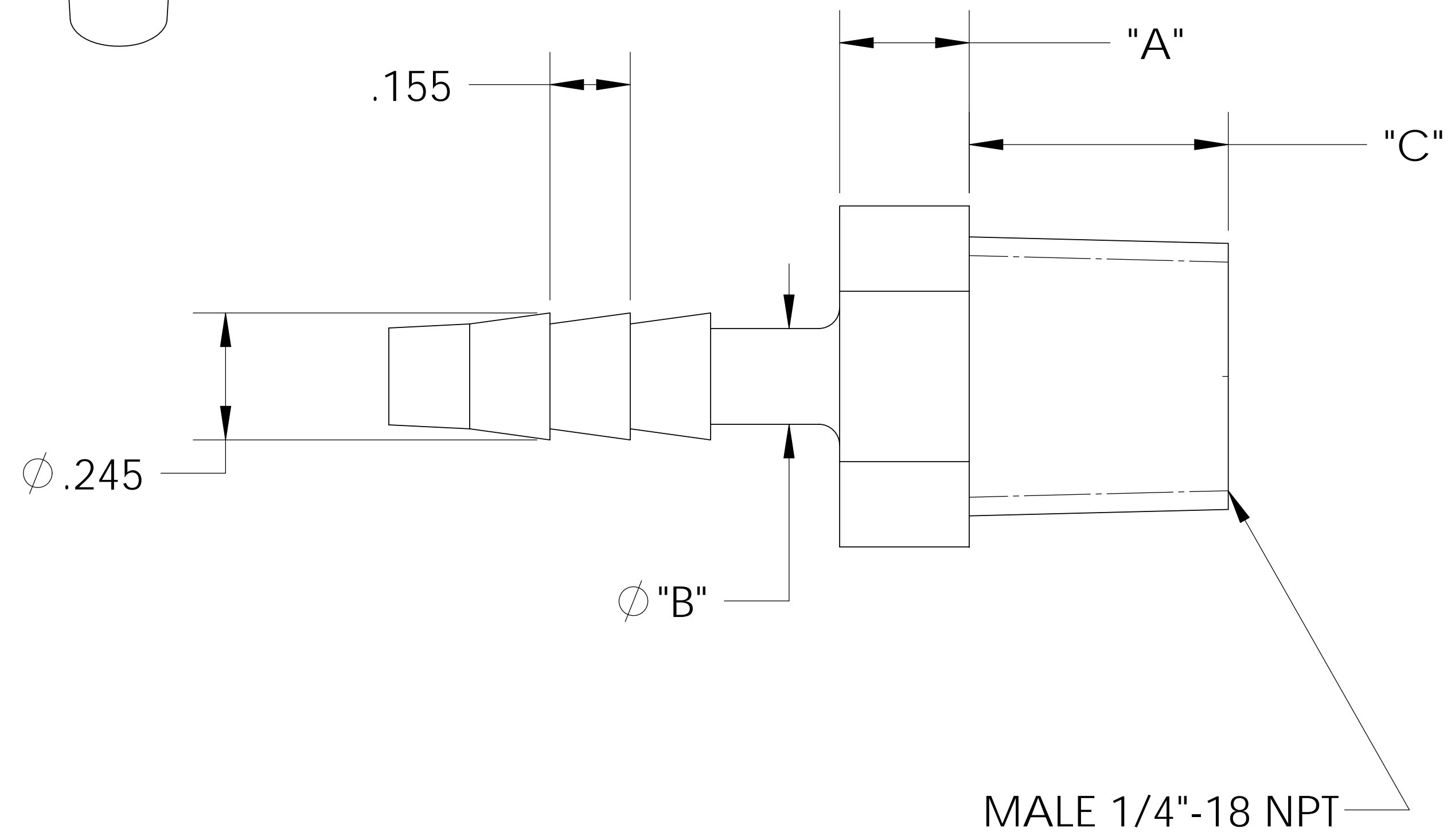
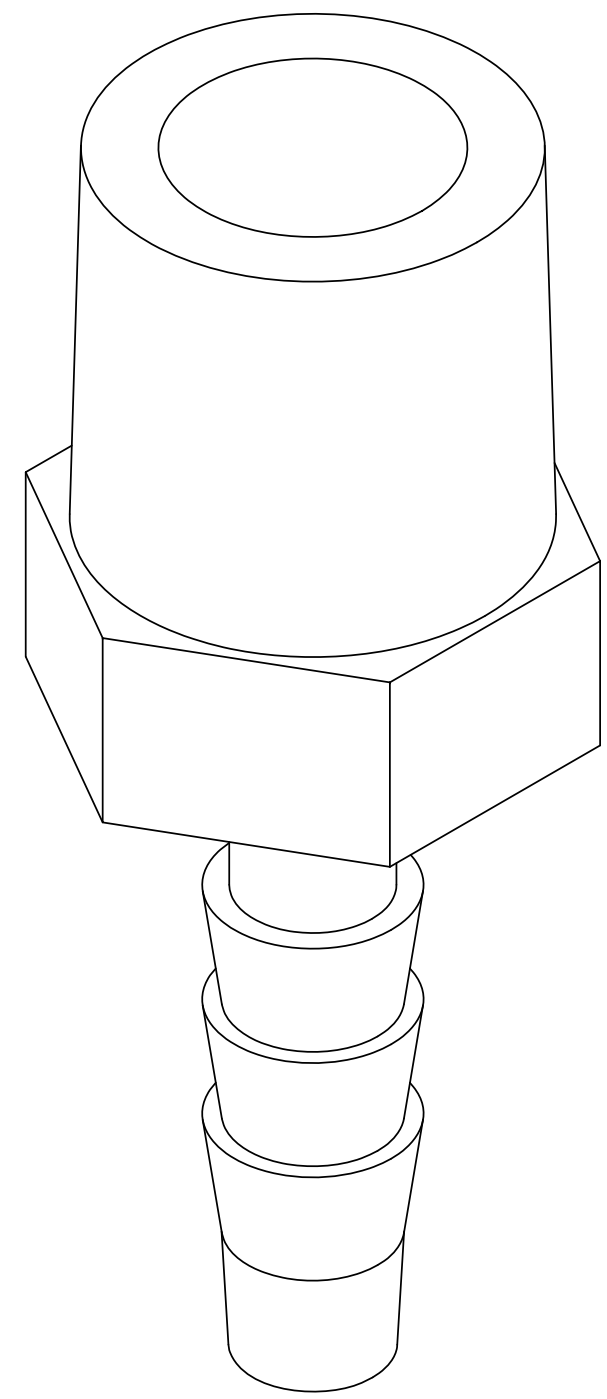


UNCONTROLLED IF PRINTED; CONTROLLED COPY LOCATED IN IQMS DOCUMENT CONTROL



CATALOG NO.	DESCRIPTION	MATERIAL	DIM "A"	DIM "B"	DIM "C"	DIM "D"	DIM "E"	DIM "F"
TA1043/PP	1/4" NPT X 3/16" PP	POLYPROPYLENE	.250	.190	.49	.57	.335	1.60
TA1043/P	1/4" NPT X 3/16" P	POLYETHYLENE	.245	.190	.49	.56	.335	1.58
TA1043/N	1/4" NPT X 3/16" N	NYLON	.250	.185	.50	.57	.342	1.62

SHOWN

D	95.00072	CONVERTED TO 3D FORMAT	UNLESS OTHERWISE SPECIFIED: DIMENSIONS ARE IN INCHES TOLERANCES: ANGULAR: ±0.5° XX = ± 0.1 XXX = ± 0.05 XXX = ± 0.015 REMOVE ALL SHARP EDGES AND BURRS BLEND ALL RADII TO 0.01IN INTERPRET GEOMETRIC TOLERANCING PER: ANSI Y 14.5 1994		NAME	DATE	 33490 PIN OAK, AVON LAKE, OH 44012 TITLE: <b>1/4" NPT X 3/16" BARB ADAPTER</b>
			DRAWN	JRM	03/17/11		
			CHECKED	KDJ	03/17/11		
			ENG APPR.	JM	03/18/11		
			MFG APPR.	ML	03/18/11		
			Q.A.	NJW	03/18/11	COMMENTS:	SIZE <b>B</b>
REV	WRO#	DESCRIPTION	FINISH: NA	THIRD ANGLE PROJECTION:		DO NOT SCALE DRAWING	DWG. NO. TA1043
HISTORY					SCALE: 2:1		REVISION <b>D</b>
					SHEET 1 OF 1		

NOTES:

- 1) POLYPROPYLENE HAS COLOR OPTIONS:  
BLACK = TA1043/PPB  
NATURAL = TA1043/PPN

**PROPRIETARY AND CONFIDENTIAL**  
THE INFORMATION CONTAINED IN THIS DRAWING IS THE SOLE PROPERTY OF THOGUS PRODUCTS COMPANY. ANY REPRODUCTION IN PART OR AS A WHOLE WITHOUT THE WRITTEN PERMISSION OF THOGUS PRODUCTS COMPANY IS PROHIBITED.