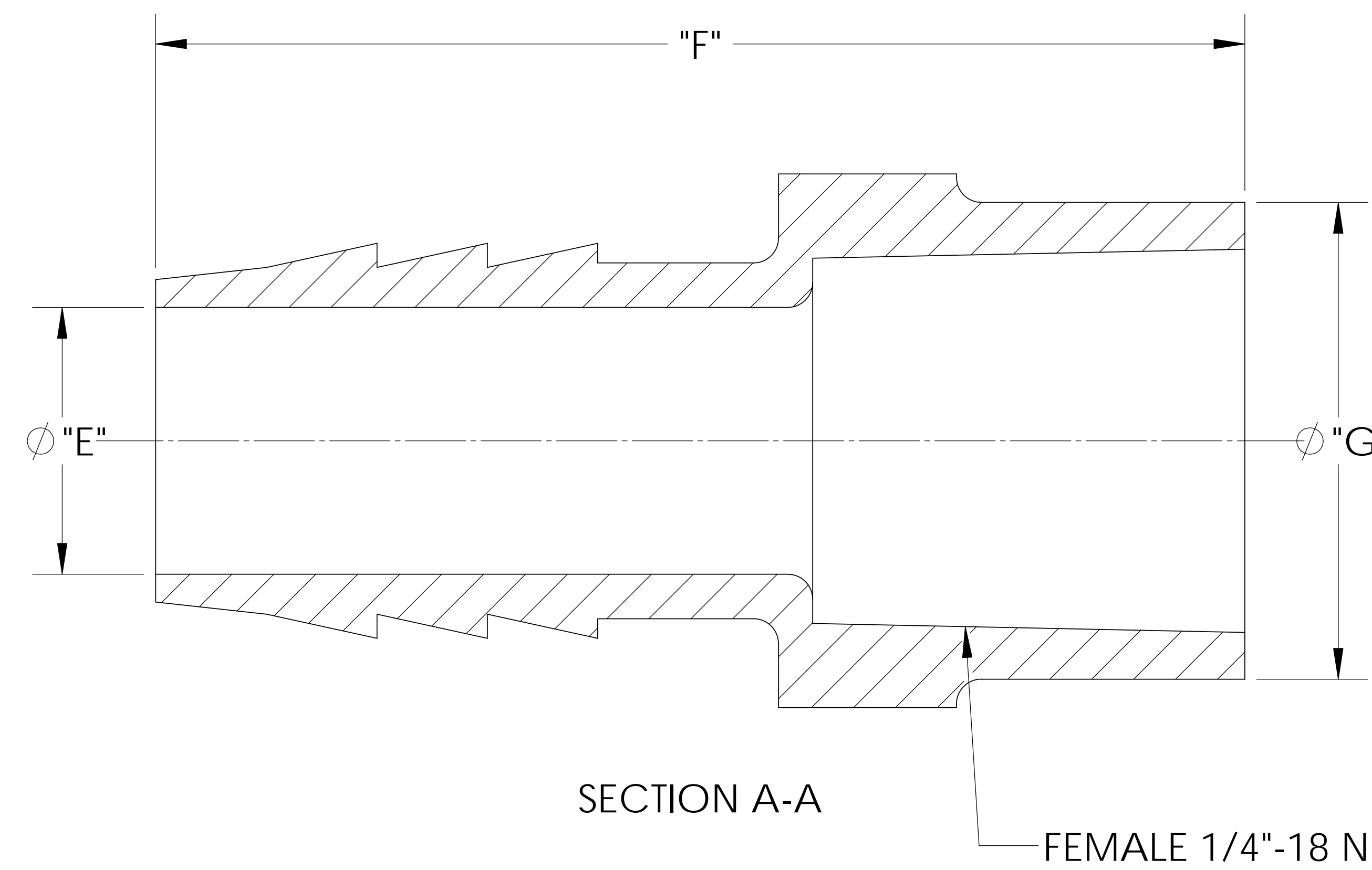
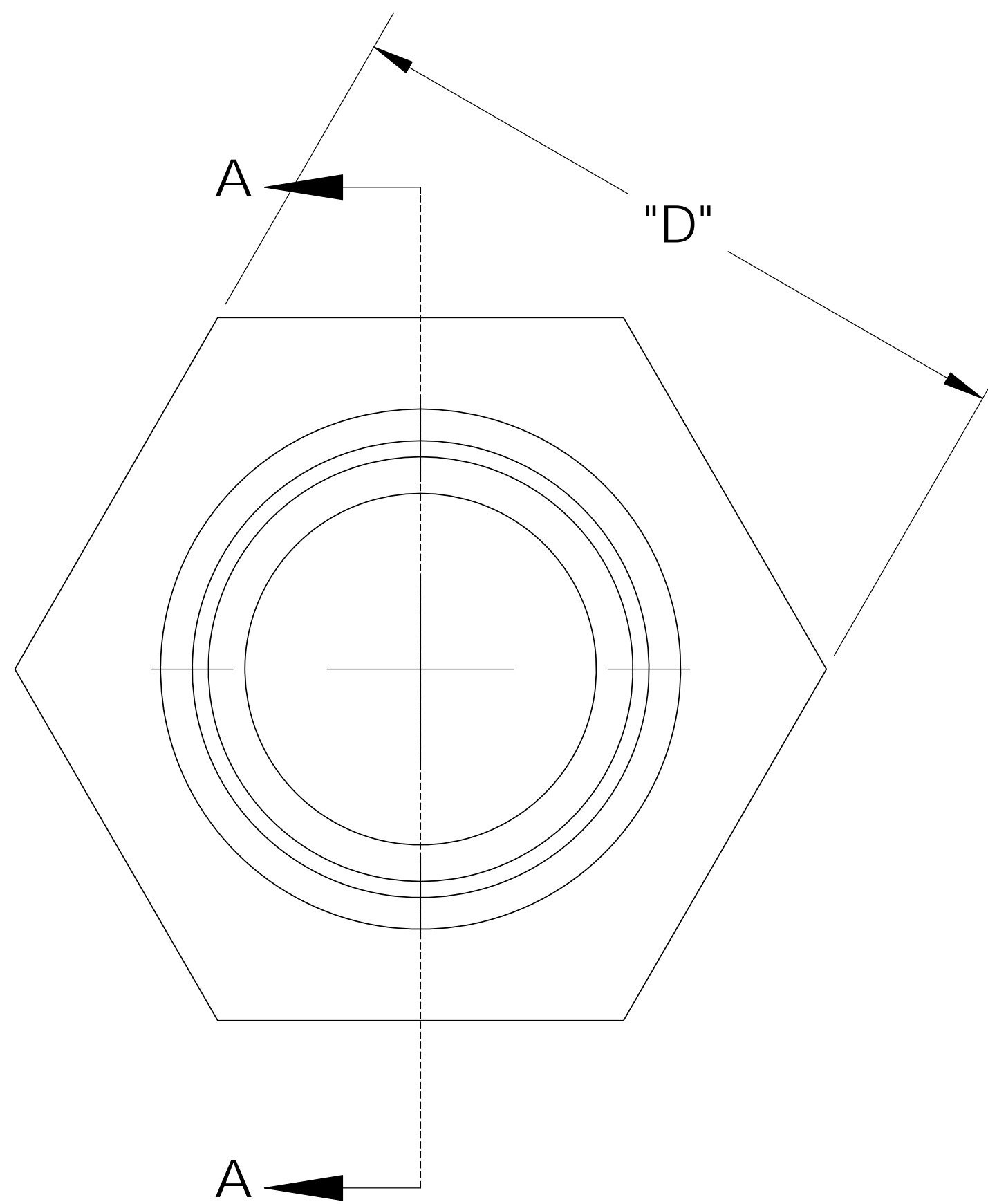
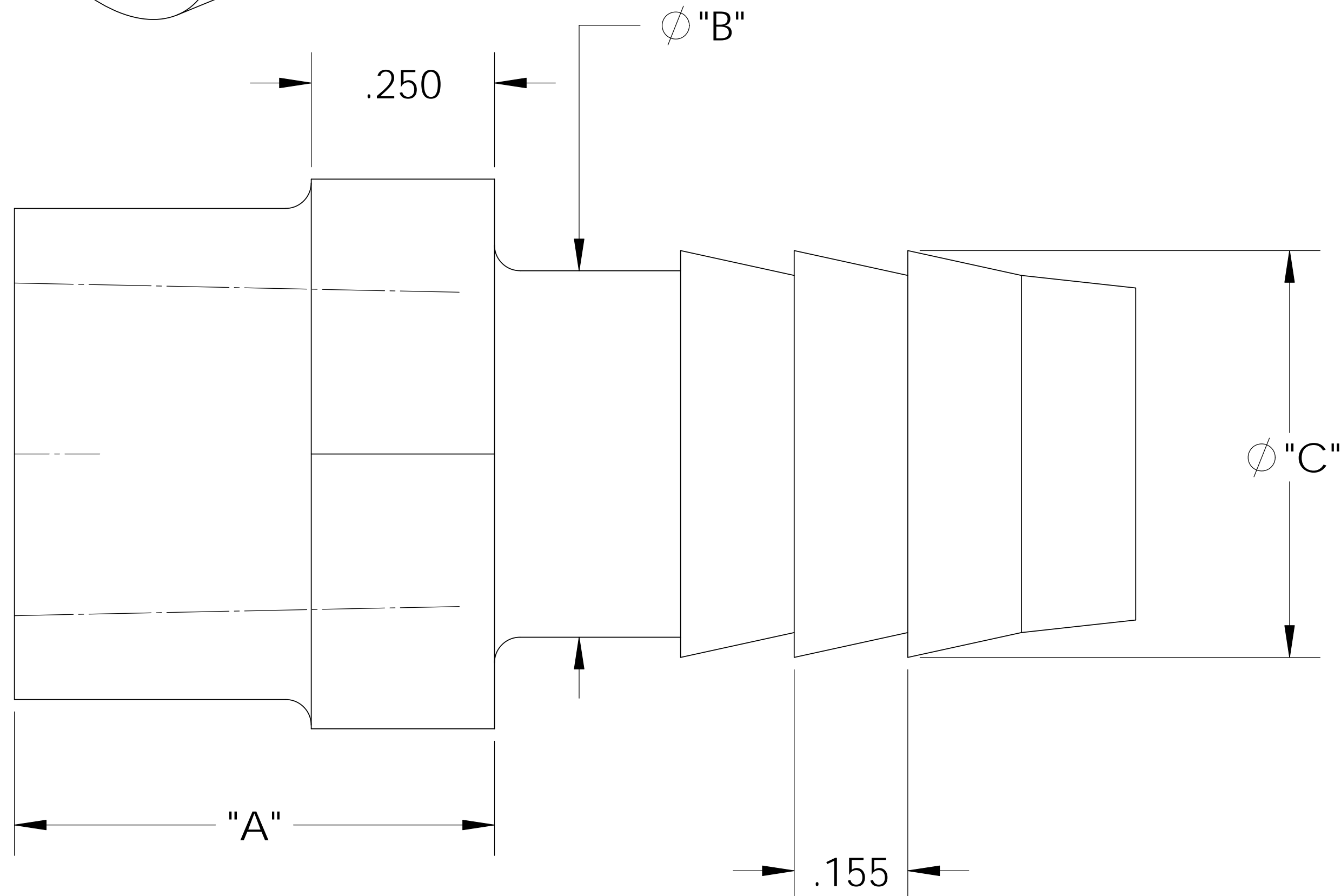
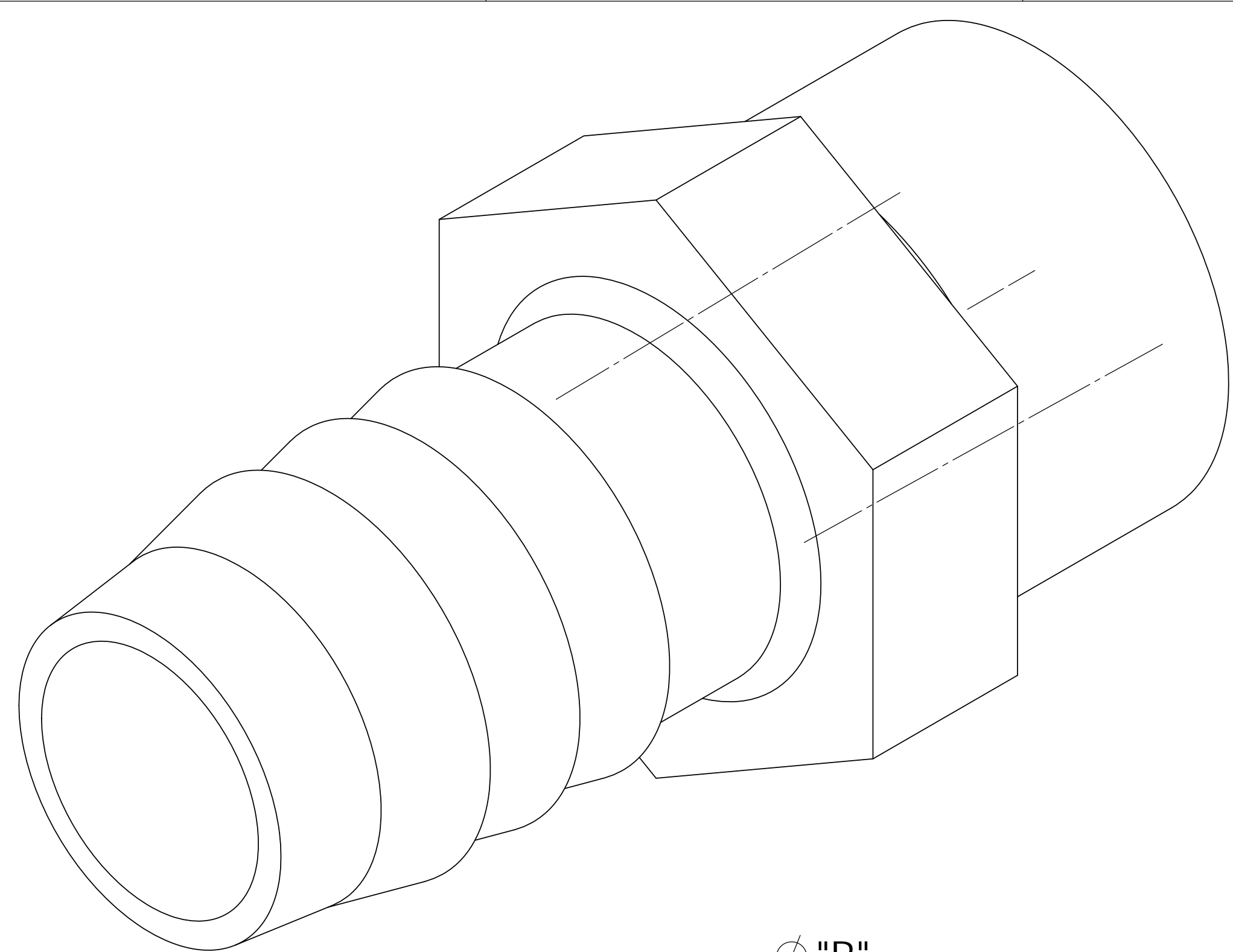


UNCONTROLLED IF PRINTED; CONTROLLED DOCUMENT LOCATED IN IQMS DOCUMENT CONTROL



CATALOG NO.	DESCRIPTION	MATERIAL	DIM "A"	DIM "B"	DIM "C"	DIM "D"	DIM "E"	DIM "F"	DIM "G"
TAF1046/PP	1/4" NPT X 3/8 PP	POLYPROPYLENE	.650	.490	.550	.74	.370	1.51	.660
SHOWN TAF1046/N	1/4" NPT X 3/8" N	NYLON	.655	.500	.555	.75	.375	1.53	.670

NOTES:

- 1) POLYPROPYLENE HAS COLOR OPTIONS:
 BLACK = TAF1048/PPB
 NATURAL = TAF1048/PPN

PROPRIETARY AND CONFIDENTIAL
 THE INFORMATION CONTAINED IN THIS DRAWING IS THE SOLE PROPERTY OF THOGUS PRODUCTS COMPANY. ANY REPRODUCTION IN PART OR AS A WHOLE WITHOUT THE WRITTEN PERMISSION OF THOGUS PRODUCTS COMPANY IS PROHIBITED.

REV	WRO#	DESCRIPTION
C	95.00144	CONVERTED TO 3D FORMAT
HISTORY		

UNLESS OTHERWISE SPECIFIED:
 DIMENSIONS ARE IN INCHES
 TOLERANCES:
 ANGULAR: ±0.5°
 X.X = ± 0.1
 X.XX = ± 0.05
 X.XXX = ± 0.015
 REMOVE ALL SHARP EDGES AND BURRS
 BLEND ALL RADII TO 0.01IN
 INTERPRET GEOMETRIC TOLERANCING PER: ANSI Y 14.5 1994
 MATERIAL: PP, N
 FINISH: NA
 THIRD ANGLE PROJECTION:

	NAME	DATE
DRAWN	JRM	05/24/11
CHECKED	KDJ	5/24/11
ENG APPR.		XX/XX/XX
MFG APPR.		XX/XX/XX
Q.A.		XX/XX/XX
COMMENTS:		

Thogus You think it, we can make it.
 33490 PIN OAK, AVON LAKE, OH 44012

TITLE:
 1/4" NPT FEMALE X 1/2" BARB ADAPTER

SIZE B	DWG. NO. TAF1048	REV C
SCALE: 3:1	MASS:	SHEET 1 OF 1

DO NOT SCALE DRAWING