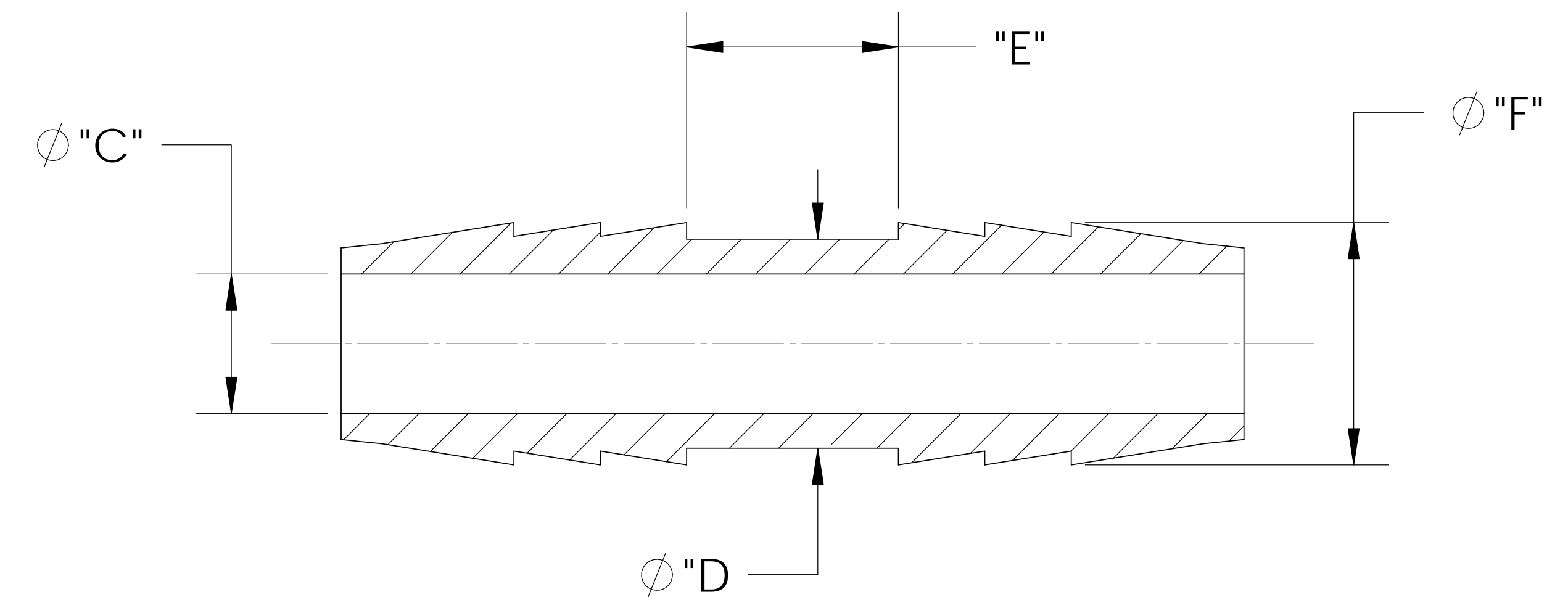
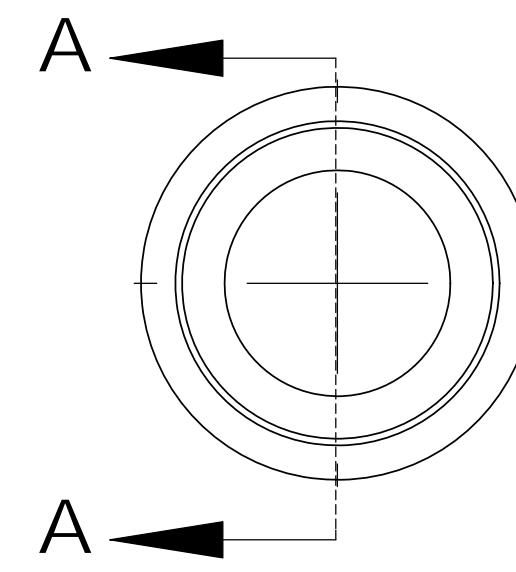
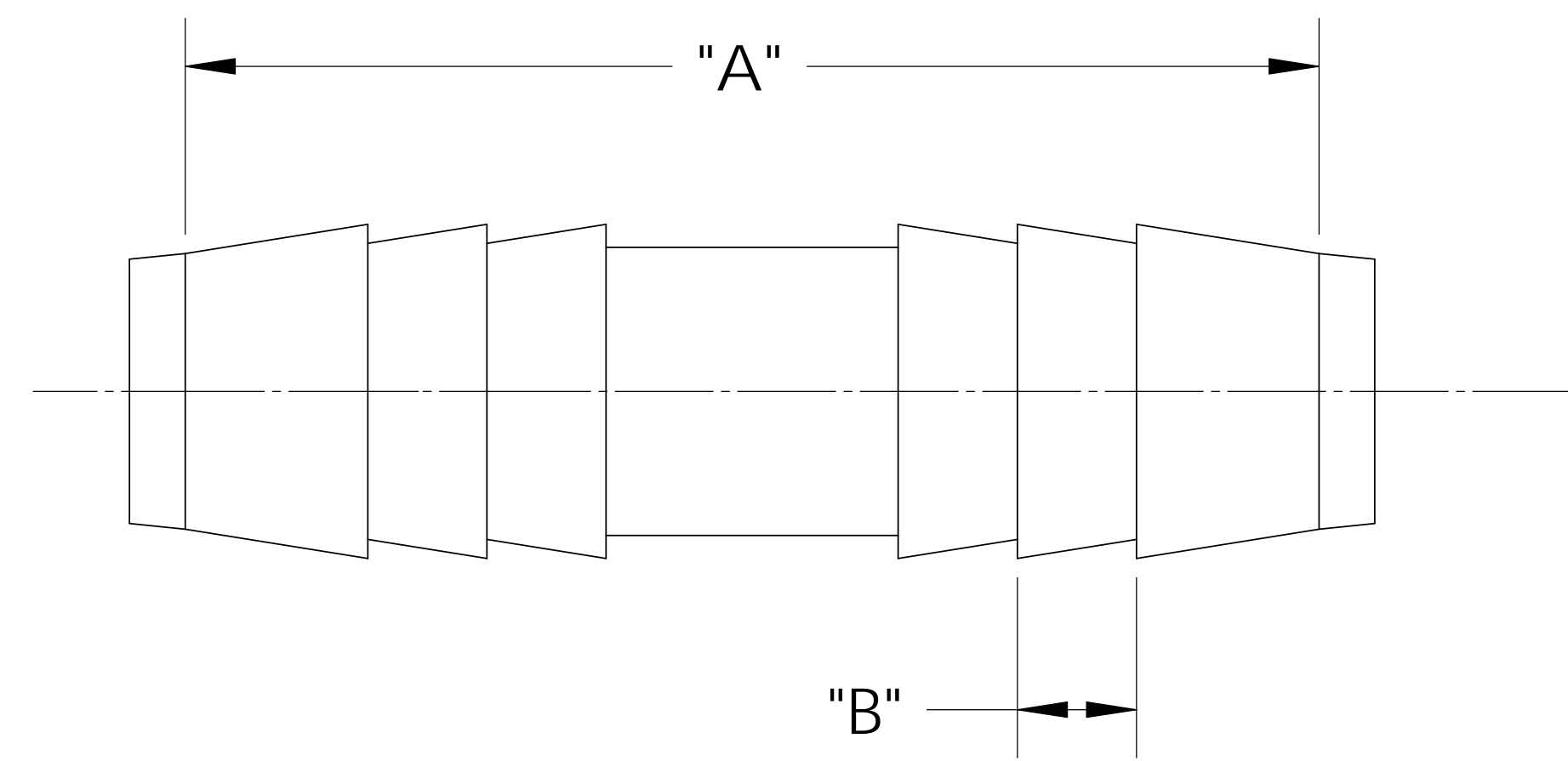
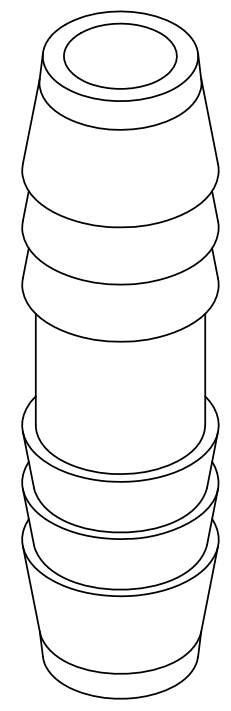


8 7 6 5 4 3 2 1

UNCONTROLLED IF PRINTED; CONTROLLED DOCUMENT LOCATED IN IQMS DOCUMENT CONTROL



SECTION A-A

CATALOG NO.	DESCRIPTION	MATERIAL	DIM "A"	DIM "B"	DIM "C"	DIM "D"	DIM "E"	DIM "F"
TC7066/PP	3/8 X 3/8 PP	POLYPROPYLENE	1.60	.155	.245	.365	.375	.430
TC7066/P	3/8 X 3/8 P	POLYETHYLENE	1.57	.150	.245	.370	.365	.430
TC7066/N	3/8 X 3/8 N	NYLON	1.62	.155	.250	.375	.380	.435
TC7066/K	3/8 X 3/8 K	KYNAR	1.62	.155	.250	.375	.380	.435

SHOWN

NOTES:

- 1) POLYPROPYLENE HAS COLOR OPTIONS:  
 BLACK = TC7066/PPB  
 NATURAL = TC7066/PPN

**PROPRIETARY AND CONFIDENTIAL**  
 THE INFORMATION CONTAINED IN THIS DRAWING IS THE SOLE PROPERTY OF THOGUS PRODUCTS COMPANY. ANY REPRODUCTION IN PART OR AS A WHOLE WITHOUT THE WRITTEN PERMISSION OF THOGUS PRODUCTS COMPANY IS PROHIBITED.

E	95.00041	CONVERTED TO 3D FORMAT	UNLESS OTHERWISE SPECIFIED: DIMENSIONS ARE IN INCHES TOLERANCES: ANGULAR: ±0.5° XX = ± 0.1 X.XX = ± 0.05 X.XXX = ± 0.015 REMOVE ALL SHARP EDGES AND BURRS BLEND ALL RADII TO 0.01IN INTERPRET GEOMETRIC TOLERANCING PER: ANSI Y 14.5 1994 MATERIAL: PP, P, N, K FINISH: NA THIRD ANGLE PROJECTION: 	NAME	DATE	Thogus <small>You think it, we can make it...</small> 33490 PIN OAK, AVON LAKE, OH 44012 TITLE: <b>BARB CONNECTOR, 3/8" X 3/8"</b>		
				DRAWN	KDJ		10/08/10	
				CHECKED	KDJ		10/8/10	
				ENG APPR.			XX/XX/XX	
				MFG APPR.	XX/XX/XX	SIZE <b>B</b> DWG. NO. <b>TC7066</b> REV <b>E</b>		
				Q.A.	XX/XX/XX			
REV	WRO#	DESCRIPTION		COMMENTS:		SCALE: 2:1	MASS:	SHEET 1 OF 1
HISTORY				DO NOT SCALE DRAWING				

8 7 6 5 4 3 2 1