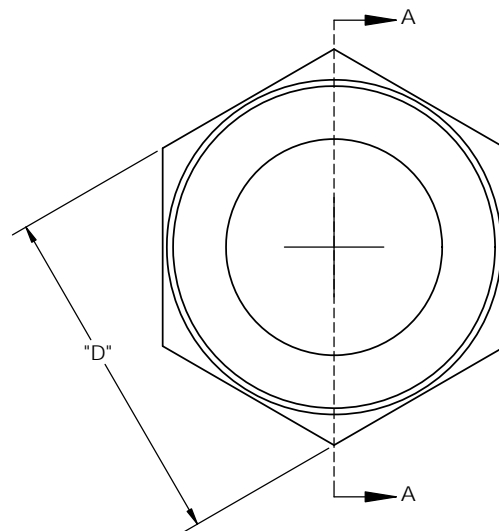
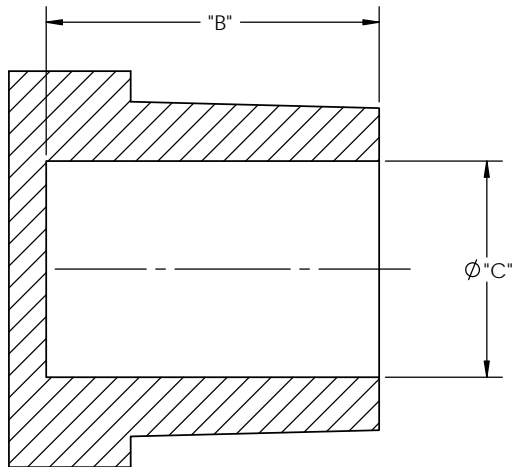
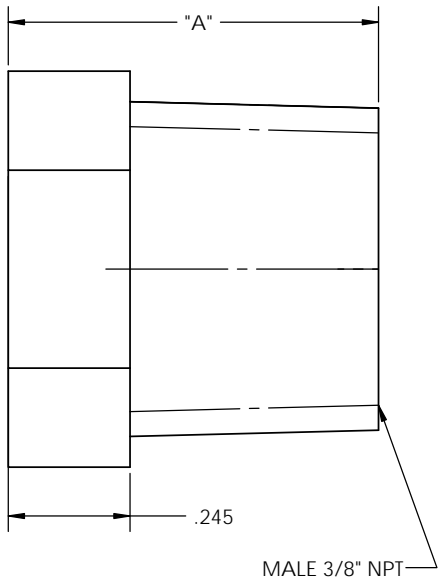
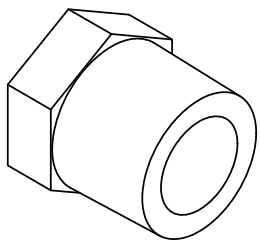


UNCONTROLLED IF PRINTED; CONTROLLED DOCUMENT LOCATED IN IQMS DOCUMENT CONTROL



CATALOG NO.	DESCRIPTION	MATERIAL	DIM "A"	DIM "B"	DIM "C"	DIM "D"
TP4006/PP	3/8" NPT PP	POLYPROPYLENE	.730	.66	.430	.69
TP4006/P	3/8" NPT P	POLYETHYLENE	.725	.65	.420	.68
TP4006/N	3/8" NPT N	NYLON	.745	.67	.435	.69

SHOWN

REV	WRO#	DESCRIPTION
C	95.00025	CONVERTED TO 3D FORMAT

NAME	DATE
DRAWN KDJ	10/08/10
CHECKED KDJ	10/08/2010
ENG APPR. JM	8/25/2011
MFG APPR. ML	8/25/2011
Q.A. NW	8/25/2011

COMMENTS:

33490 PIN OAK, AVON LAKE, OH 44012

TITLE: **PLUG, 3/8" NPT**

SIZE **B** DWG. NO. **TP4006** REV **C**

NOTES:
 1) POLYPROPYLENE HAS COLOR OPTIONS:
 BLACK = TP4006/PPB
 NATURAL = TP4006/PPN

PROPRIETARY AND CONFIDENTIAL
 THE INFORMATION CONTAINED IN THIS DRAWING IS THE SOLE PROPERTY OF THOGUS PRODUCTS COMPANY. ANY REPRODUCTION IN PART OR AS A WHOLE WITHOUT THE WRITTEN PERMISSION OF THOGUS PRODUCTS COMPANY IS PROHIBITED.

UNLESS OTHERWISE SPECIFIED:
 DIMENSIONS ARE IN INCHES
 TOLERANCES:
 ANGULAR: ±0.5°
 XX = ± 0.1
 XXX = ± 0.05
 XXXX = ± 0.015
 REMOVE ALL SHARP EDGES AND BURRS
 BLEND ALL RADII TO 0.01IN
 INTERPRET GEOMETRIC TOLERANCING PER: ANSI Y 14.5.1994
 MATERIAL: PP, P, N
 FINISH: NA
 THIRD ANGLE PROJECTION:

DO NOT SCALE DRAWING

SCALE: 4:1 MASS: SHEET 1 OF 1