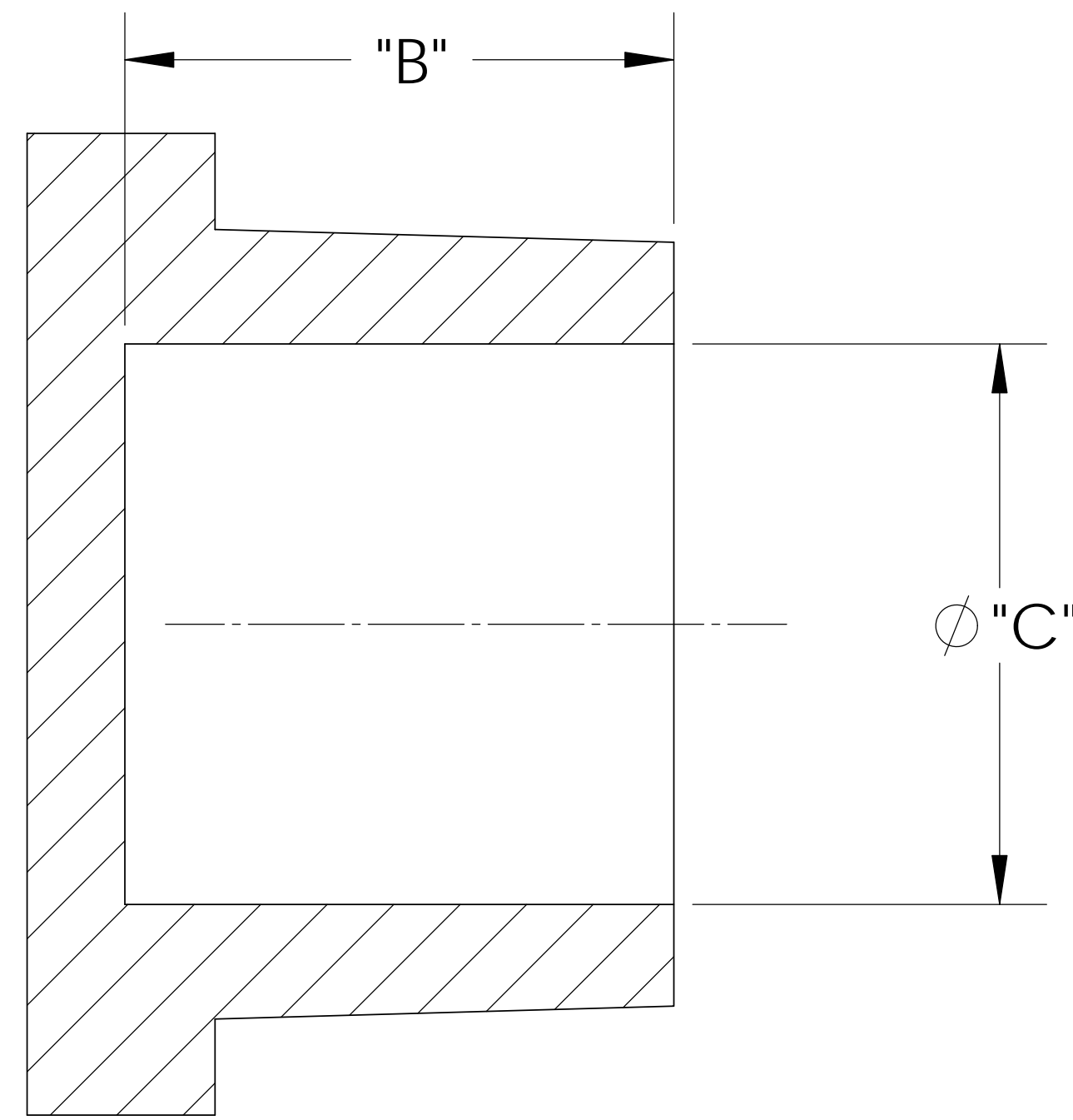
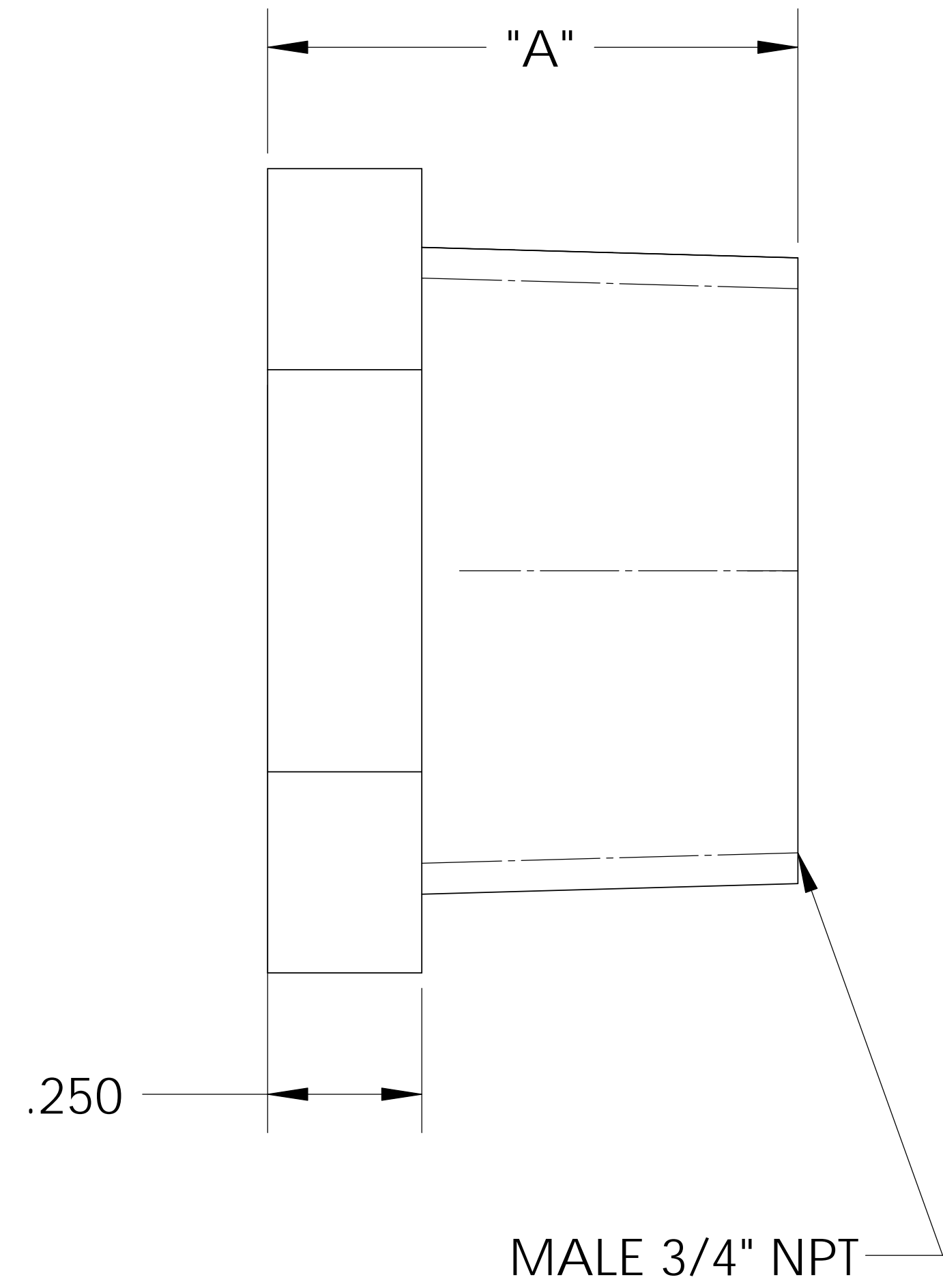
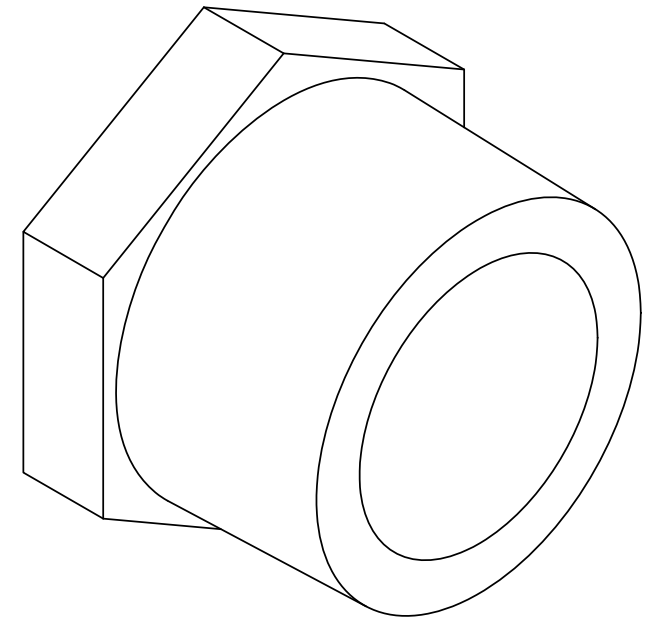
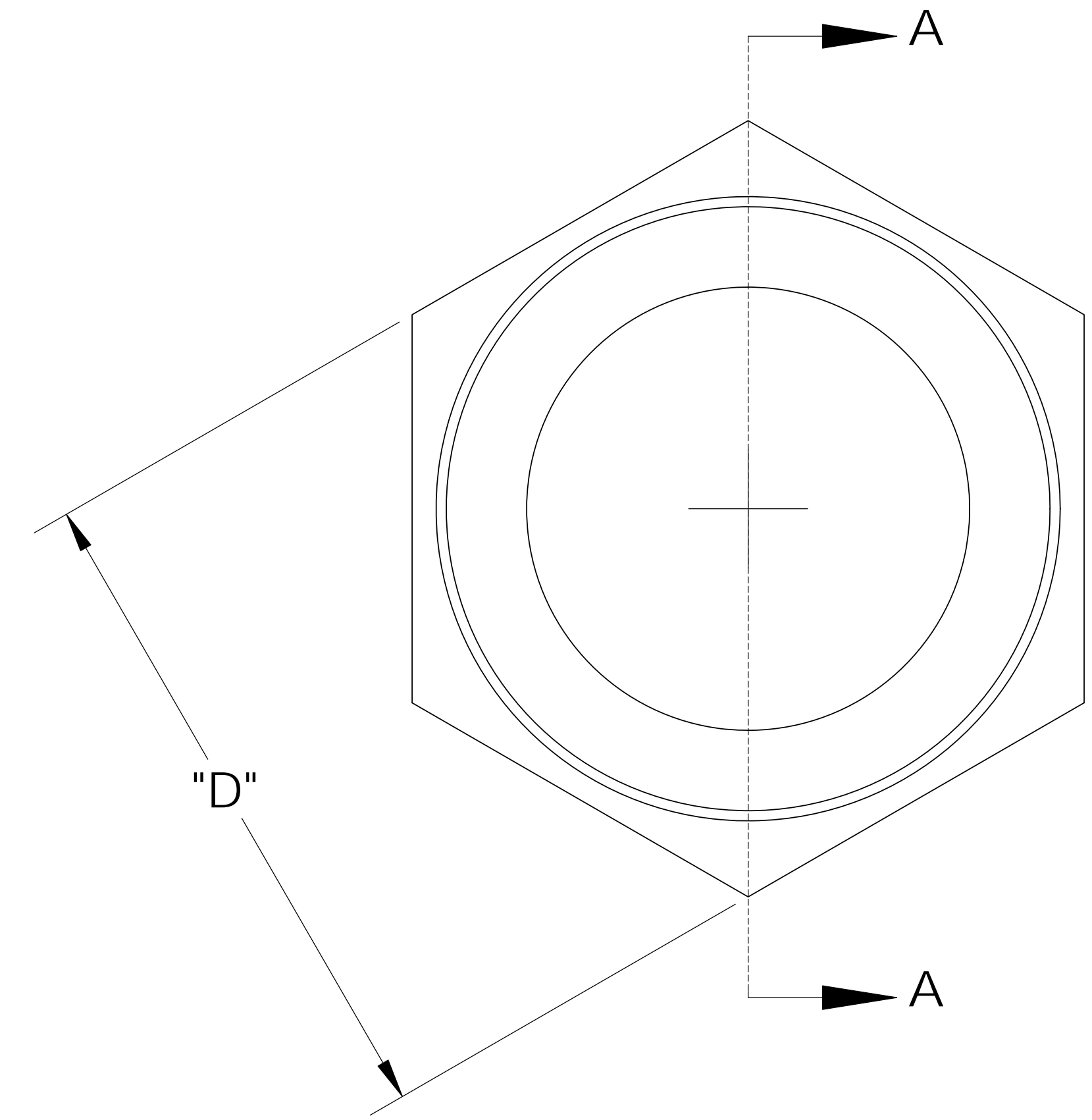


UNCONTROLLED IF PRINTED; CONTROLLED DOCUMENT LOCATED IN IQMS DOCUMENT CONTROL



SECTION A-A



CATALOG NO.	DESCRIPTION	MATERIAL	DIM "A"	DIM "B"	DIM "C"	DIM "D"
TP4012/PP	3/4" NPT PP	POLYPROPYLENE	.855	.72	.735	1.12
TP4012/P	3/4" NPT P	POLYETHYLENE	.835	.75	.710	1.10
TP4012/N	3/4" NPT N	NYLON	.860	.73	.745	1.13

SHOWN

REV	WRO#	DESCRIPTION
C	95.00025	CONVERTED TO 3D FORMAT
HISTORY		

UNLESS OTHERWISE SPECIFIED:  
 DIMENSIONS ARE IN INCHES  
 TOLERANCES:  
 ANGULAR:  $\pm 0.5^\circ$   
 X.X =  $\pm 0.1$   
 X.XX =  $\pm 0.05$   
 X.XXX =  $\pm 0.015$   
 REMOVE ALL SHARP EDGES AND BURRS  
 BLEND ALL RADII TO 0.01IN  
 INTERPRET GEOMETRIC TOLERANCING PER: ANSI Y 14.5 1994  
 MATERIAL: PP, P, N  
 FINISH: NA  
 THIRD ANGLE PROJECTION:

	NAME	DATE
DRAWN	KDJ	10/08/10
CHECKED	KDJ	10/8/10
ENG APPR.		XX/XX/XX
MFG APPR.		XX/XX/XX
Q.A.		XX/XX/XX

**Thogus** You think it, we can make it...  
 33490 PIN OAK, AVON LAKE, OH 44012

TITLE: **PLUG, 3/4" NPT**

SIZE <b>B</b>	DWG. NO. <b>TP4012</b>	REV <b>C</b>
SCALE: 2:1	MASS:	SHEET 1 OF 1

NOTES:  
 1) POLYPROPYLENE HAS COLOR OPTIONS:  
 BLACK = TP4012/PPB  
 NATURAL = TP4012/PPN

**PROPRIETARY AND CONFIDENTIAL**  
 THE INFORMATION CONTAINED IN THIS DRAWING IS THE SOLE PROPERTY OF THOGUS PRODUCTS COMPANY. ANY REPRODUCTION IN PART OR AS A WHOLE WITHOUT THE WRITTEN PERMISSION OF THOGUS PRODUCTS COMPANY IS PROHIBITED.